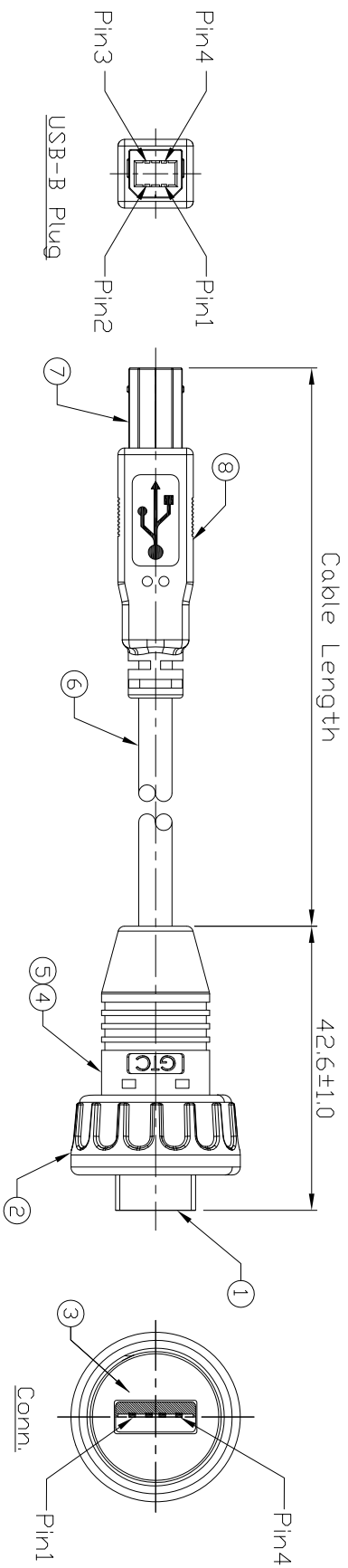


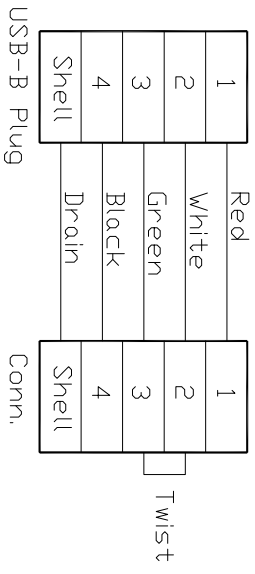
Notes: (Unless Otherwise Specified)
 1. Waterproof Rate: IP67.
 2. RoHS Compliant.

REV	ECN#	DESCRIPTION OF REVISION	DRAW BY DATE	CHECK BY DATE	APPROVE BY DATE
A0	ECN-130403	Mass Production	Joyce 04/08/13	Lucas 04/08/13	Roy 04/08/13



GTC
 DOC.CENTER.ISSUE
 APR.11.2013
 ONLY FOR
 RELEASE

Item	Part Name	Material / Finish	QTY
8	Over Mold	PVC Color: Black	1
7	USB-B Plug	Housing: Thermoplastic, Color: Black Contacts: Copper Alloy, Finish: Au Plated Shell: Cold Roll Steel, Finish: Ni Plated	1
6	Cable	UL2725 1P*28AWG+2C*24AWG+1W+D+B OD=5.0mm, Color: Black	1
5	Over Mold	PVC Color: Black	1
4	Inner Mold	Thermoplastic Color: Black Or White	1
3	Rubber Pad	Silicone Color: Black	1
2	Screw Nut	Thermoplastic Color: Black	1
1	USB-A Plug	Housing: Thermoplastic, Color: Black Contacts: Copper Alloy, Finish: Au Plated Shell: Cold Roll Steel, Finish: Ni Plated	1



Wiring Diagram

GT116350-09-10	10000 mm	±450
GT116350-09-09	9000 mm	±450
GT116350-09-08	8000 mm	±400
GT116350-09-07	7000 mm	±350
GT116350-09-06	6000 mm	±300
GT116350-09-05	5000 mm	±250
GT116350-09-04	4000 mm	±200
GT116350-09-03	3000 mm	±150
GT116350-09-02	2000 mm	±100
GT116350-09-01	1000 mm	±50
GT116350-09-29	900 mm	±40
GT116350-09-28	800 mm	±40
GT116350-09-27	700 mm	±40
GT116350-09-26	600 mm	±40
GT116350-09-25	500 mm	±40
GT116350-09-24	400 mm	±20

Part No.	Cable Length	Tol.
GT116350-09-24	400 mm	±20

USB-A Plastic C3 Cable End w/O SR Plug Screw With USB-B Plug

DRAWING NUMBER
 GT116350-09-XX
 REV. A0

GT Contact CD,LTID

TITLE	DD NOT SCALE DRAWINGS	THIRD ANGLE PROJECTION
1:1	B	1

DD NOT SCALE DRAWINGS	THIRD ANGLE PROJECTION	SIZE	SCALE	DRAW / DATE	CHECK / DATE	APPROVE / DATE	TOLERANCES	UNIT	SHEET
B	1	1:1	1	David 05/24/10	Roy 05/24/10	Roy 05/24/10	± 0.5 ANGLES ± 1°	mm	1/1

NOTICE OF PROPRIETARY PROPERTY
 THE INFORMATION CONTAINED HEREIN IS THE PROPRIETARY PROPERTY OF GT CONTACT COLTD THE POSSESSOR AGREES TO MAINTAIN THIS INFORMATION IN CONFIDENCE AND NOT TO REPRODUCE, PUBLISH IT IN WHOLE OR PART (C) ALL RIGHTS RESERVED