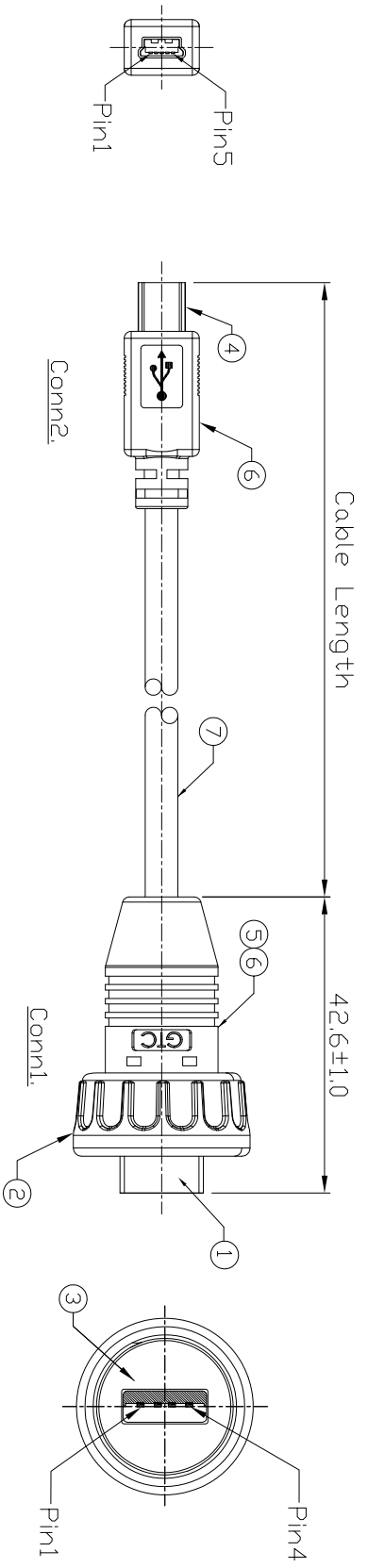


Notes: (Unless Otherwise Specified)
 1. Waterproof Rate: IP67.
 2. RoHS Compliance.

REV	ECN#	DESCRIPTION OF REVISION	DRAW BY DATE	CHECK BY DATE	APPROVE BY DATE
A0		Mass Production	Vicky 09/07/10	Lucas 09/07/10	Roy 09/07/10



Item	Part Name	QTY
1	USB-A Plug	1
2	Screw Nut	1
3	Rubber Pad	1
4	Mini USB-B Plug	1
5	Inner Mold	1
6	Over Mold	2
7	Cable	1

GTC
 DOC.CENTER.ISSUE
 JUN.16.2011
 ONLY FOR
 RELEASE

1	2	3	4	5	Shell
Red	White	Green	Black	Drain	Shell

Wiring Diagram

Part No.	Cable Length	Tol.
GT116350-07-10	10000 mm	±500
GT116350-07-09	9000 mm	±450
GT116350-07-08	8000 mm	±400
GT116350-07-07	7000 mm	±350
GT116350-07-06	6000 mm	±300
GT116350-07-05	5000 mm	±250
GT116350-07-04	4000 mm	±200
GT116350-07-03	3000 mm	±150
GT116350-07-02	2000 mm	±100
GT116350-07-01	1000 mm	±50
GT116350-07-29	900 mm	±40
GT116350-07-25	500 mm	±40

TITLE USB-A Plastic C3 Cable End W/D SR Plug Screw With Mini USB-B Plug

DRAWING NUMBER	REV.
GT116350-07-XX	A0

GT Contact CD,LTID

THIRD ANGLE PROJECTION	SIZE	SCALE	DRAW / DATE	CHECK / DATE	APPROVE / DATE	TOLERANCES	UNIT	SHEET
1	B	1:1	Vicky 09/07/10	Lucas 09/07/10	Roy 09/07/10	± 0.5 ANGLES ± 1°	mm	1/1

NOTICE OF PROPRIETARY PROPERTY:
 THE INFORMATION CONTAINED HEREIN IS THE PROPRIETARY PROPERTY OF GT CONTACT CO.,LTD THE POSSESSOR AND TO THE FOLLOWING:
 1) TO MAINTAIN THIS DOCUMENT IN CONFIDENCE
 2) NOT TO REPRODUCE OR PUBLISH IT IN WHOLE OR PART
 3) ALL RIGHTS RESERVED