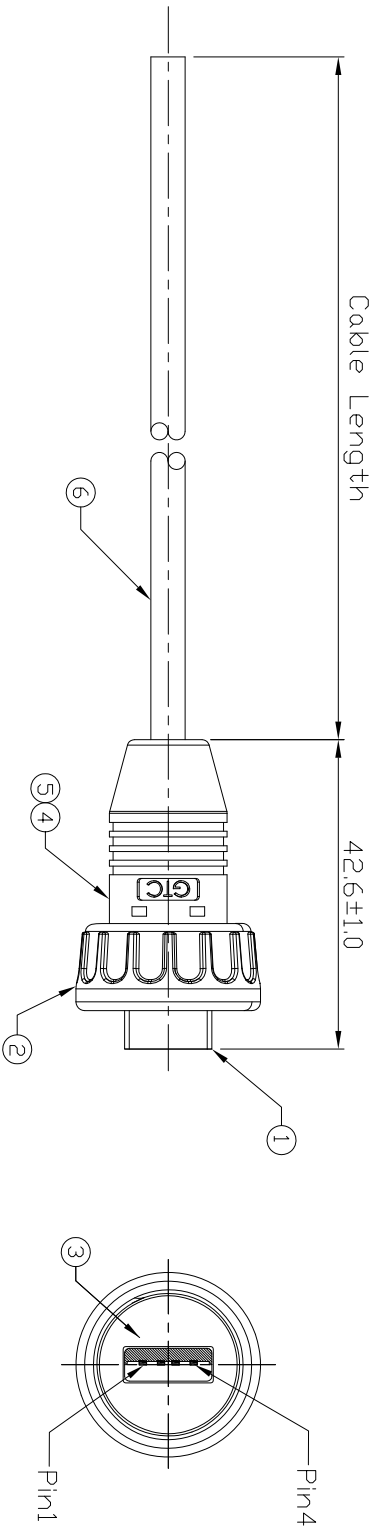


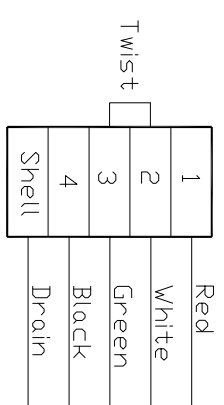
Notes: (unless otherwise Specified)  
 1. Waterproof Rate: IP67.  
 2. RoHS Compliance.

REV	ECN#	DESCRIPTION OF REVISION	DRAW BY DATE	CHECK BY DATE	APPROVE BY DATE
A0		Mass Production	Vicky 07/18/11	Lucas 07/18/11	Roy 07/18/11



GTC  
 DOC CENTER ISSUE  
 JUL. 19.2011  
 ONLY FOR  
 RELEASE

Item	Part Name	Material / Finish	QTY
1	USB-A Plug	Housing: Thermal Plastic, Color: Black Contacts: Copper Alloy, Finish: Au Plated Shell: Cold Roll Steel, Finish: Ni Plated	1
2	Screw Nut	Thermal Plastic Color: Black	1
3	Rubber Pad	Silicone Color: Black	1
4	Inner Mold	Thermal Plastic Color: Black	1
5	Over Mold	PVC Color: Black	1
6	Cable	UL2725 1P*28AWG+20*24AWG+Al/MY+D+B DD=5.0mm, Color: Black	1



Wiring Diagram

GT116350-01-10	10000 mm	±500
GT116350-01-09	9000 mm	±450
GT116350-01-08	8000 mm	±400
GT116350-01-07	7000 mm	±350
GT116350-01-06	6000 mm	±300
GT116350-01-05	5000 mm	±250
GT116350-01-04	4000 mm	±200
GT116350-01-03	3000 mm	±150
GT116350-01-02	2000 mm	±100
GT116350-01-01	1000 mm	±50
GT116350-01-29	900 mm	±40
GT116350-01-25	500 mm	±40
GT116350-01-23	300 mm	±40
Part No.	Cable Length	Tol.

TITLE  
 USB-A Plastic C3 Cable End W/D SR Plug Screw

DRAWING NUMBER  
 GT116350-01-XX

REV: A0

THIRD ANGLE PROJECTION	SIZE	SCALE	DRAW / DATE	CHECK / DATE	APPROVE / DATE	TOLERANCES	UNIT	SHEET
	B	1:1	Vicky 07/18/11	Lucas 07/18/11	Roy 07/18/11	XX ± 0.5 XXXX ± 0.05 XXX ± 0.2 ANGLES ± 1°	mm	1/1

GT Contact CD, LTD  
 NOTICE OF PROPRIETARY PROPERTY:  
 THE INFORMATION CONTAINED HEREIN IS THE PROPRIETARY PROPERTY OF GT Contact CD, LTD. THE POSSESSOR AGREES TO THE FOLLOWING:  
 (1) TO MAINTAIN THIS DOCUMENT IN CONFIDENCE  
 (2) NOT TO REPRODUCE OR COPY IT  
 (3) NOT TO REVEAL OR PUBLISH IT IN WHOLE OR PART  
 (4) ALL RIGHTS RESERVED