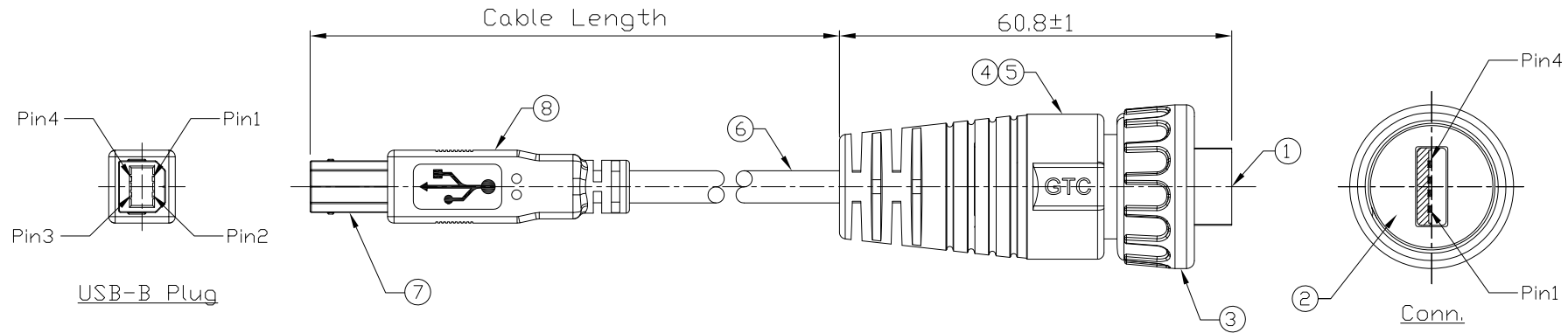


Notes: (Unless Otherwise Specified)

1. Waterproof Rate: IP67.
2. RoHS Compliant.

REV	ECN#	DESCRIPTION OF REVISION	DRAW BY DATE	CHECK BY DATE	APPROVE BY DATE
A0	ECN-130403	Mass Production	Joyce 04/08/13	Lucas 04/08/13	Ray 04/08/13



GTC
DOC.CENTER.ISSUE
APR.11.2013
ONLY FOR
RELEASE

Item	Part Name	Material / Finish	Q'ty
8	Over Mold	PVC Color: Black	1
7	USB-B Plug	Housing: Thermoplastic, Color: Black Contacts: Copper Alloy, Finish: Au Plated Shell: Cold Roll Steel, Finish: Ni Plated	1
6	Cable	UL2725 1P*28AWG+2C*24AWG+AL/My+D+B Color: Black, OD=5.0mm	1
5	Over Mold	PVC Color: Black	1
4	Inner Mold	Thermoplastic Color: Black	1
3	Screw Nut	Thermoplastic Color: Black	1
2	Rubber Pad	Silicone Color: Black	1
1	USB-A Plug	Housing: Thermoplastic, Color: Black Contacts: Copper Alloy, Finish: Au Plated Shell: Cold Roll Steel, Finish: Ni Plated	1

Part No.	Cable Length	Tol.
GT116320-09-10	10000 mm	±450
GT116320-09-09	9000 mm	±450
GT116320-09-08	8000 mm	±400
GT116320-09-07	7000 mm	±350
GT116320-09-06	6000 mm	±300
GT116320-09-05	5000 mm	±250
GT116320-09-04	4000 mm	±200
GT116320-09-03	3000 mm	±150
GT116320-09-02	2000 mm	±100
GT116320-09-01	1000 mm	±50
GT116320-09-29	900 mm	±40
GT116320-09-28	800 mm	±40
GT116320-09-27	700 mm	±40
GT116320-09-26	600 mm	±40
GT116320-09-25	500 mm	±40
GT116320-09-24	400 mm	±20



Wiring Diagram

TITLE						DRAWING NUMBER			REV.
USB-A Plastic C3 Cable End Plug Screw With USB-B Plug						GT116320-09-XX			A0
THIRD ANGLE PROJECTION	SIZE	SCALE	DRAW / DATE	CHECK / DATE	APPROVE / DATE	TOLERANCES	UNIT	SHEET	
	B	1:1	David 05/17/10	Ray 05/17/10	Ray 05/17/10	X.X ± 0.5 X.XX ± 0.2	X.XXX ± 0.05 ANGLES ± 1°	mm 1/1	

GT Contact CO.,LTD

NOTICE OF PROPRIETARY PROPERTY:

THE INFORMATION CONTAINED HEREIN IS THE PROPRIETARY PROPERTY OF GT Contact CO.,LTD THE POSSESSOR AGREES TO THE FOLLOWING:

(a) TO MAINTAIN THIS DOCUMENT IN CONFIDENCE
(b) NOT TO REPRODUCE OR COPY IT
(c) NOT TO REVEAL OR PUBLISH IT IN WHOLE OR PART
(d) ALL RIGHTS RESERVED