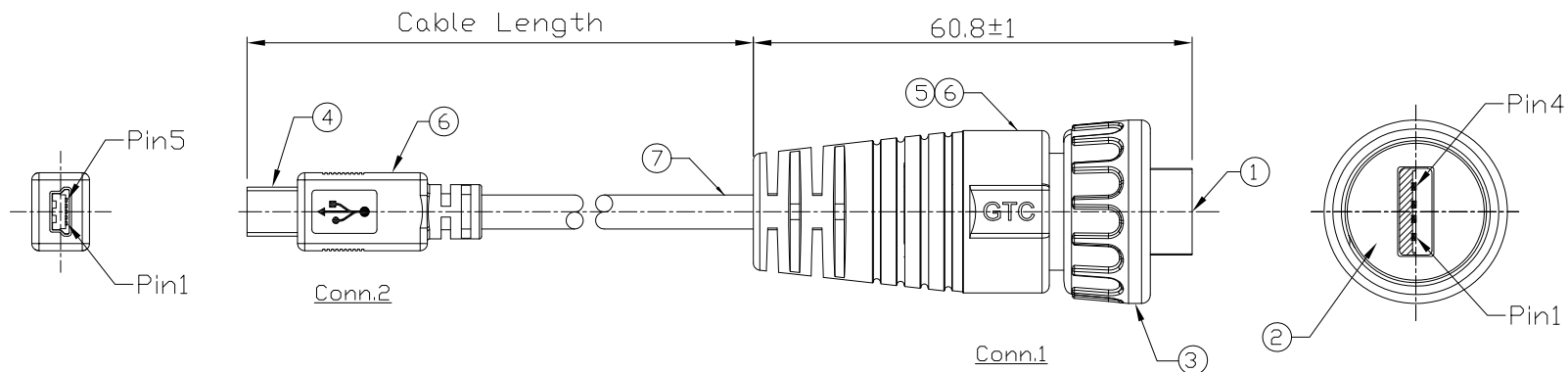


Notes: (Unless Otherwise Specified)

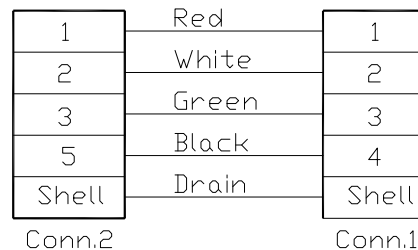
1. Waterproof Rate: IP67.
2. RoHS Compliance.

REV	ECN#	DESCRIPTION OF REVISION	DRAW BY DATE	CHECK BY DATE	APPROVE BY DATE
A0		Mass Production	Vicky 10/19/10	Ray 10/19/10	Ray 10/19/10
A1		Redraw	Joyce 06/13/11	Lucas 06/13/11	Ray 06/13/11



7	Cable	UL2725 1P*28AWG+2C*24AWG+Al/My+D+B(UV) Color: Black,DD=5.0mm	1
6	Over Mold	PVC Color: Black	2
5	Inner Mold	Thermal Plastic Color: Black	1
4	Mini USB-B Plug	Housing: Thermal Plastic, Color: Black Contacts: Copper Alloy, Finish: Au Plated Shell: Cold Roll Steel, Finish: Ni Plated	1
3	Screw Nut	Thermal Plastic Color: Black	1
2	Rubber Pad	Silicone Color: Black	1
1	USB-A Plug	Housing: Thermal Plastic, Color: Black Contacts: Copper Alloy, Finish: Au Plated Shell: Cold Roll Steel, Finish: Ni Plated	1
Item	Part Name	Material / Finish	Q'ty

GTC
DOC.CENTER.ISSUE
JUN.16.2011
ONLY FOR
RELEASE



Wiring Diagram

GT116320-07-10	10000 mm	±500
GT116320-07-09	9000 mm	±450
GT116320-07-08	8000 mm	±400
GT116320-07-07	7000 mm	±350
GT116320-07-06	6000 mm	±300
GT116320-07-05	5000 mm	±250
GT116320-07-04	4000 mm	±200
GT116320-07-03	3000 mm	±150
GT116320-07-02	2000 mm	±100
GT116320-07-01	1000 mm	±50
GT116320-07-Z9	900 mm	±40
GT116320-07-Z5	500 mm	±40
Part No.	Cable Length	Tol.

GT Contact CO.,LTD

NOTICE OF PROPRIETARY PROPERTY:

THE INFORMATION CONTAINED HEREIN IS THE PROPRIETARY PROPERTY OF GT CONTACT CO.,LTD THE POSSESSOR AGREES TO THE FOLLOWING:
 (1) TO MAINTAIN THIS DOCUMENT IN CONFIDENCE
 (2) NOT TO REPRODUCE OR COPY IT
 (3) NOT TO REVEAL OR PUBLISH IT IN WHOLE OR PART
 (4) ALL RIGHTS RESERVED

TITLE						DRAWING NUMBER			REV.	
USB-A Plastic C3 Cable End Plug Screw With Mini USB-B Plug						GT116320-07-XX			A1	
	B	1:1	Vicky 10/19/10	Ray 10/19/10	Ray 10/19/10	X.X ± 0.5 X.XX ± 0.2	X.XXX ± 0.05 ANGLES ± 1°	mm	1/1	
THIRD ANGLE PROJECTION	SIZE	SCALE	DRAW / DATE	CHECK / DATE	APPROVE / DATE	TOLERANCES		UNIT	SHEET	