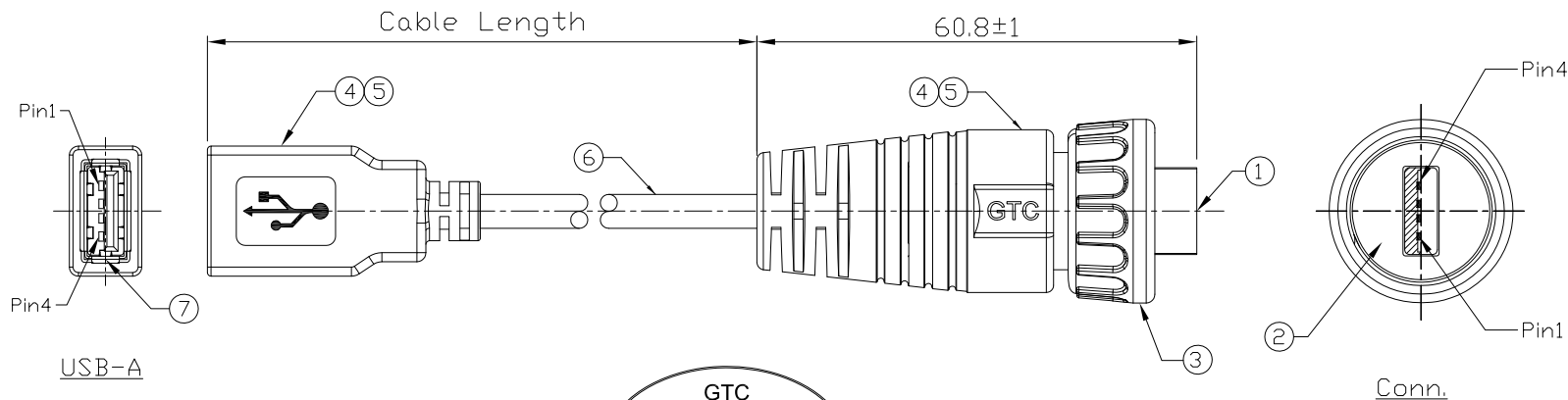


Notes: (Unless Otherwise Specified)

1. Waterproof Rate: IP67.
2. RoHS Compliant.

REV	ECN#	DESCRIPTION OF REVISION	DRAW BY DATE	CHECK BY DATE	APPROVE BY DATE
A0		Mass Production	Vicky 03/02/11	Ray 03/02/11	Ray 03/02/11
A1	ECN-121117	Change USB-A Receptacle Color & Supplier	Joyce 12/17/12	Lucas 12/17/12	Ray 12/17/12



Part No.	Cable Length	Tol.
GT116320-06-10	10000 mm	±500
GT116320-06-09	9000 mm	±450
GT116320-06-08	8000 mm	±400
GT116320-06-07	7000 mm	±350
GT116320-06-06	6000 mm	±300
GT116320-06-05	5000 mm	±250
GT116320-06-04	4000 mm	±200
GT116320-06-03	3000 mm	±150
GT116320-06-02	2000 mm	±100
GT116320-06-01	1000 mm	±50
GT116320-06-Z9	900 mm	±40
GT116320-06-Z8	800 mm	±40
GT116320-06-Z7	700 mm	±40
GT116320-06-Z6	600 mm	±40
GT116320-06-Z5	500 mm	±40
GT116320-06-Z4	400 mm	±20
GT116320-06-Z3	300 mm	±10
GT116320-06-Z2	200 mm	±10



Wiring Diagram

Item	Part Name	Material / Finish	Q'ty
7	USB-A Receptacle	Housing: Thermoplastic, Color: White Contacts: Copper Alloy, Finish: Gold Flash Shell: SPCC, Finish: Ni Plated	1
6	Cable	UL2725 1P*28AWG+2C*24AWG+AL/My+D+B Color: Black, OD=5.0mm	1
5	Over Mold	PVC Color: Black	2
4	Inner Mold	Thermoplastic Color: Black Or White	2
3	Screw Nut	Thermoplastic Color: Black	1
2	Rubber Pad	Silicone Color: Black	1
1	USB-A Plug	Housing: Thermoplastic, Color: Black Contacts: Copper Alloy, Finish: Au Plated Shell: Cold Roll Steel, Finish: Ni Plated	1

TITLE						DRAWING NUMBER			REV.
USB-A Plastic C3 Cable End Plug Screw With USB-A Receptacle						GT116320-06-XX			A1
	B	1:1	Vicky 03/02/11	Ray 03/02/11	Ray 03/02/11	X.X ± 0.5 X.XX ± 0.2	X.XXX ± 0.05 ANGLES ± 1°	mm	1/1
THIRD ANGLE PROJECTION	SIZE	SCALE	DRAW / DATE	CHECK / DATE	APPROVE / DATE	TOLERANCES		UNIT	SHEET

GT Contact CO.,LTD

NOTICE OF PROPRIETARY PROPERTY:
THE INFORMATION CONTAINED HEREIN IS THE PROPRIETARY PROPERTY OF GT Contact CO.,LTD THE POSSESSOR AGREES TO THE FOLLOWING:
(i) TO MAINTAIN THIS DOCUMENT IN CONFIDENCE
(ii) NOT TO REPRODUCE OR COPY IT
(iii) NOT TO REVEAL OR PUBLISH IT IN WHOLE OR PART
(iv) ALL RIGHTS RESERVED