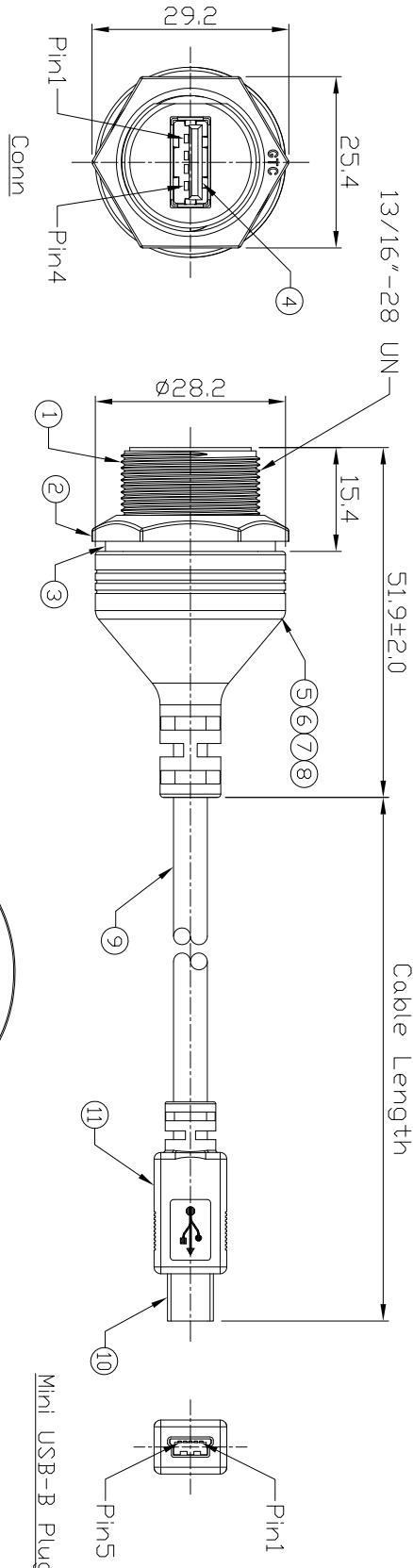


- Notes: (Unless Otherwise Specified)
1. Waterproof Rate: IP67.
  2. Recommend Panel Thickness: 0.8 to 6.0 mm.
  3. Recommend Torque: 14~15 Kgf-cm.
  4. Mating Cap P/N: GT1CS331X2.
  5. RoHS Compliant.

REV	ECN#	DESCRIPTION OF REVISION	DRAW BY DATE	CHECK BY DATE	APPROVE BY DATE
A0		Mass Production	Lucas 04/28/14	Ray 04/28/14	Ray 04/28/14



GTC  
DOC.CENTER.ISSUE  
APR.29.2014  
ONLY FOR  
RELEASE

1	2	3	4
Red	White	Green	Black
1	2	3	5
Shell		Drain	Shell

Wiring Diagram

Part No.	Cable Length	Tol.
GT1I6310-07-10	10000 mm	±450
GT1I6310-07-09	9000 mm	±450
GT1I6310-07-08	8000 mm	±400
GT1I6310-07-07	7000 mm	±350
GT1I6310-07-06	6000 mm	±300
GT1I6310-07-05	5000 mm	±250
GT1I6310-07-04	4000 mm	±200
GT1I6310-07-03	3000 mm	±150
GT1I6310-07-02	2000 mm	±100
GT1I6310-07-01	1000 mm	±50
GT1I6310-07-29	900 mm	±40
GT1I6310-07-28	800 mm	±40
GT1I6310-07-27	700 mm	±40
GT1I6310-07-26	600 mm	±40
GT1I6310-07-25	500 mm	±40
GT1I6310-07-24	400 mm	±20

Item	Part Name	Material / Finish	Qty
11	Dover Mold	PVC Color: Black	1
10	Mini USB-B Plug	Housing: Thermoplastic, Color: Black Contacts: Copper Alloy, Finish: Au Plated Shell: Cold Roll Steel, Finish: Ni Plated	1
9	Cable	UL2725 1P*28AWG+2C*24AWG+4L/My+D+B Color: Black, DJ=5.0mm	1
8	Dover Mold	PVC Color: Black	1
7	Inner Mold	Thermoplastic Color: White Dr- Black	1
6	Glue	Epoxy Color: Black	1
5	PCB	FR-4 Color: _____	1
4	USB-A Receptacle	Housing: Thermoplastic, Color: Black Contacts: Copper Alloy, Finish: Au Plated Shell: Copper Alloy, Finish: Ni Plated	1
3	Gasket	Silicone Color: Black	1
2	Hex Nut	Thermoplastic Color: Black	1
1	Housing	Thermoplastic Color: Black	1

TITLE: USB-A Plastic C3 Cable To Cable Jack Screw With Cable + Mini USB-B Plug

THIRD ANGLE PROJECTION	SIZE	SCALE	DRAW / DATE	CHECK / DATE	APPROVE / DATE	DRAWING NUMBER	REV.
	B	1:1	Lucas 04/28/14	Ray 04/28/14	Ray 04/28/14	GT1I6310-07-XX	A0

GT Contact CO.,LTD

NOTICE OF PROPRIETARY PROPERTY:  
THE INFORMATION CONTAINED HEREIN IS THE PROPRIETARY PROPERTY OF GT CONTACT CO.,LTD. THE POSSESSOR AGREES TO THE FOLLOWING DOCUMENT IN CONFIDENCE  
(a) NOT TO REPRODUCE OR COPY IT  
(b) NOT TO REVEAL OR PUBLISH IT IN WHOLE OR PART  
(c) ALL RIGHTS RESERVED