

1

2

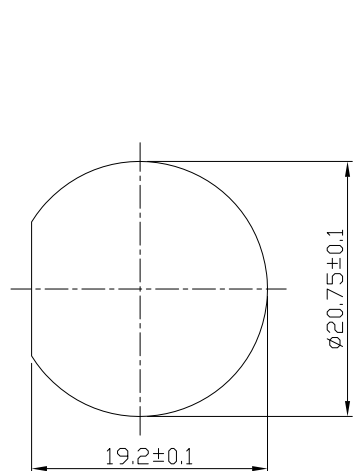
3

4

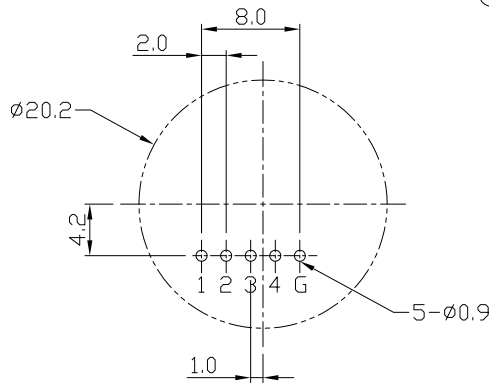
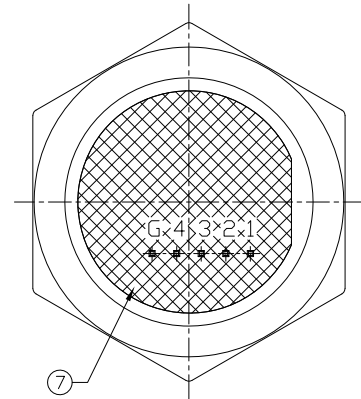
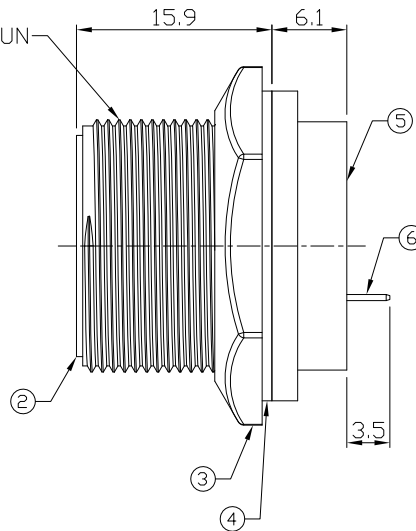
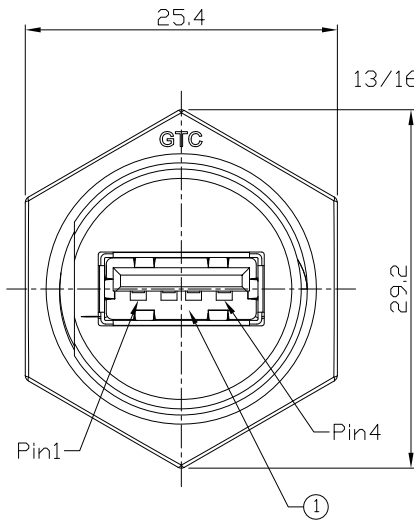
Notes: (Unless Otherwise Specified)

- 1. Waterproof Rate: IP67.
- 2. Recommend Panel Thickness: 0.8 to 6.0 mm.
- 3. Recommend Torque: 14~15 Kgf-cm.
- 4. Mating Cap P/N: GT1C5331X2.
- 5. RoHS Compliant.

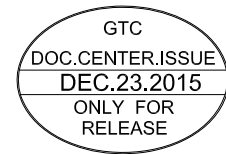
REV	ECN#	DESCRIPTION OF REVISION	DRAW BY DATE	CHECK BY DATE	APPROVE BY DATE
A1	ECN-151214	Modify PCB Layout	Lucas 12/23/15	Lucas 12/23/15	Ray 12/23/15



Recommend Panel Cut-Out



Recommend PCB Layout



7	Glue	Epoxy Color: Black	
6	Pin Header	Housing: Thermoplastic, Color: Black	1
		Contacts: Copper Alloy, Finish: Au Plated	
5	PCB	FR-4 Color: Green	1
4	Gasket	Silicone Color: Black	1
3	Hex Nut	Thermoplastic Color: Black	1
2	Housing	Thermoplastic Color: Black	1
1	USB-A Receptacle	Housing: Thermoplastic, Color: Black	1
		Contacts: Copper Alloy, Finish: Au Plated	
		Shell: Copper Alloy, Finish: Ni Plated	
Item	Part Name	Material / Finish	Q'ty

TITLE						DRAWING NUMBER			REV.
USB-A Plastic C3 Panel Jack Dip Screw						GT116300-10			A1
THIRD ANGLE PROJECTION	SIZE	SCALE	DRAW / DATE	CHECK / DATE	APPROVE / DATE	TOLERANCES	UNIT	SHEET	
	B	1/1	Karen 04/13/09	Ray 04/13/09	Ray 04/13/09	X.X ± 0.5 X.XX ± 0.2	X.XXX ± 0.05 ANGLES ± 1°	mm 1/1	

GT Contact CO.,LTD

NOTICE OF PROPRIETARY PROPERTY:

THE INFORMATION CONTAINED HEREIN IS THE PROPRIETARY PROPERTY OF GT CONTACT CO.,LTD THE POSSESSOR AGREES TO THE FOLLOWING:

- (1) TO MAINTAIN THIS DOCUMENT IN CONFIDENCE
- (2) NOT TO REPRODUCE OR COPY IT
- (3) NOT TO REVEAL OR PUBLISH IT IN WHOLE OR PART
- (4) ALL RIGHTS RESERVED

1

2

3

4