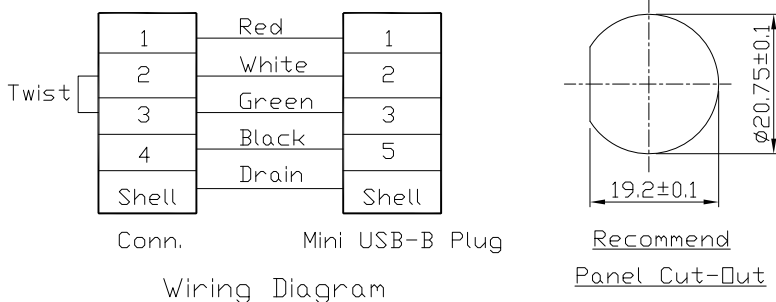
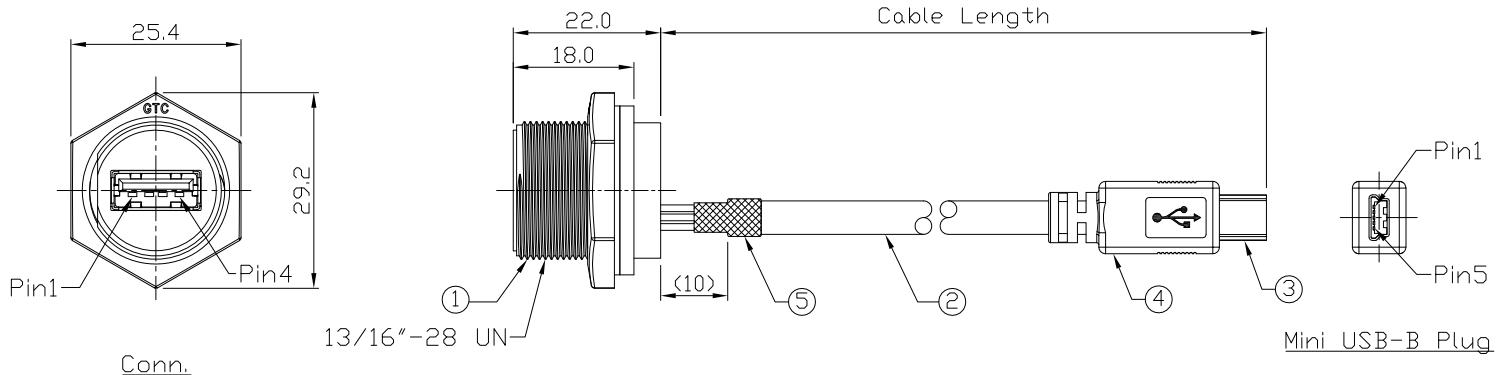


Notes: (Unless Otherwise Specified)

- 1. Waterproof Rate: IP67.
- 2. Recommend Panel Thickness: 0.8 to 6.0 mm.
- 3. Recommend Torque: 14~15 Kgf-cm.
- 4. Mating Cap P/N: GT1C5331X2.
- 5. RoHS Compliant.

REV	ECN#	DESCRIPTION OF REVISION	DRAW BY DATE	CHECK BY DATE	APPROVE BY DATE
A0			Jenny 02/21/22	Lucas 02/21/22	Ray 02/21/22



Item	Part Name	Material / Finish	Q'ty
5	Shrink Tube	L=20mm Color: Black	1
4	Over Mold	PVC Color: Black	1
3	Mini USB-B Plug	Housing: Thermoplastic, Color: Black Contacts: Copper Alloy, Finish: Au Plated Shell: Cold Roll Steel, Finish: Ni Plated	1
2	Cable	UL2725 1P*28AWG+2C*24AWG+Al/My+D+B OD=5.0mm, Color: Black	1
1	USB-A Plastic C3 Panel Jack Screw	GT Contact P/N: GT116300-0X-XX	1

TITLE USB-A Plastic C3 Panel Jack Screw With Cable + Mini USB-B Plug						DRAWING NUMBER GT116300-07-XX			REV. A0	
THIRD ANGLE PROJECTION		SIZE	SCALE	DRAW / DATE	CHECK / DATE	APPROVE / DATE	TOLERANCES		UNIT	SHEET
		B	1:1	Jenny 02/21/22	Lucas 02/21/22	Ray 02/21/22	X.X ± 0.5 X.XX ± 0.2		X.XXX ± 0.05 ANGLES ± 1°	mm 1/1

GT Contact CO.,LTD

NOTICE OF PROPRIETARY PROPERTY:
THE INFORMATION CONTAINED HEREIN IS THE PROPRIETARY PROPERTY OF GT Contact CO.,LTD THE POSSESSOR AGREES TO THE FOLLOWING:
(i) TO MAINTAIN THIS DOCUMENT IN CONFIDENCE
(ii) NOT TO REPRODUCE OR COPY IT
(iii) NOT TO REVEAL OR PUBLISH IT IN WHOLE OR PART
(iv) ALL RIGHTS RESERVED