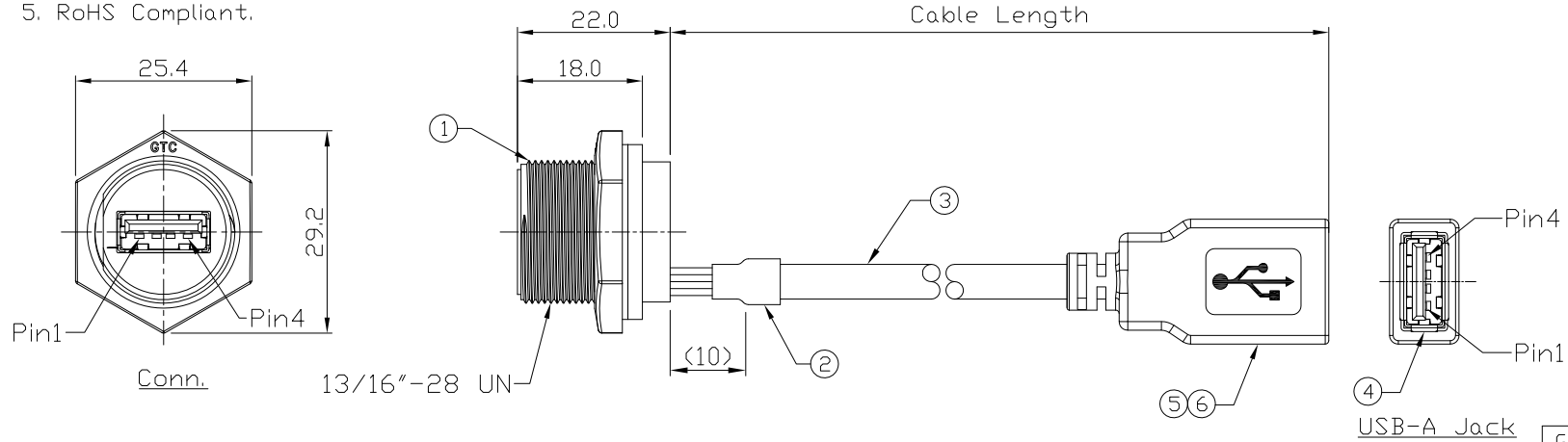


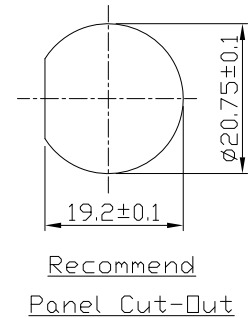
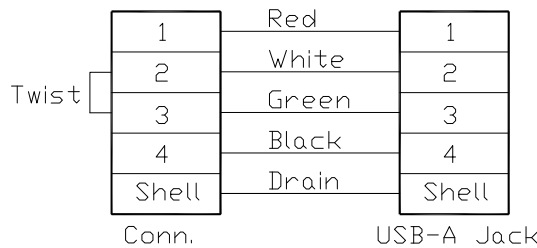
Notes: (Unless Otherwise Specified)

1. Waterproof Rate: IP67.
2. Recommend Panel Thickness: 0.8 to 6.0 mm.
3. Recommend Torque: 14~15 Kgf-cm.
4. Mating Cap P/N: GT1C5331X2.
5. RoHS Compliant.

REV	ECN#	DESCRIPTION OF REVISION	DRAW BY DATE	CHECK BY DATE	APPROVE BY DATE
A1	ECN-240501	Updated The USB Receptacles Insulator From White To Black Color.	Aileen 08/15/24	Hank 08/15/24	Lucas 08/15/24



6	Over Mold	PVC Color: Black	1
5	Inner Mold	Thermoplastic Color: White Or Black	1
4	USB-A Receptacle	Housing: Thermoplastic Contacts: Copper Alloy, Finish: Gold Flash Shell: SPCC, Finish: Ni Plated	1
3	Cable	UL2725 1P*28AWG+2C*24AWG+Al/My+D+B OD=5.0mm, Color: Black	1
2	Shrink Tube	L=20mm Color: Black	1
1	GT116300-03-XX	USB-A Plastic C3 Panel Jack Screw With Pig Tail	1
Item	Part Name	Material / Finish	Q'ty



GT116300-06-05	5000 mm	+150
GT116300-06-04	4000 mm	+150
GT116300-06-03	3000 mm	+100
GT116300-06-02	2000 mm	+100
GT116300-06-01	1000 mm	+50
GT116300-06-Z9	900 mm	+50
GT116300-06-Z8	800 mm	+50
GT116300-06-Z7	700 mm	+50
GT116300-06-Z6	600 mm	+50
GT116300-06-Z5	500 mm	+50
GT116300-06-Z4	400 mm	+50
GT116300-06-Z3	300 mm	+25
GT116300-06-Z2	200 mm	+25
GT116300-06-Z1	100 mm	+25
Part No.	Cable Length	Tol.

TITLE						DRAWING NUMBER			REV.	
USB-A Plastic C3 Panel Jack Screw With Cable + USB-A Receptacle						GT116300-06-XX			A1	
DO NOT SCALE DRAWINGS	B	1:1	Joyce 07/22/16	Lucas 07/22/16	Ray 07/22/16	XX ± 0.5 X.XX ± 0.2	XXX ± 0.05 ANGLES ± 1°	mm	1/1	
THIRD ANGLE PROJECTION	SIZE	SCALE	DRAW / DATE	CHECK / DATE	APPROVE / DATE	TOLERANCES		UNIT	SHEET	

GT Contact CO.,LTD

NOTICE OF PROPRIETARY PROPERTY:

THE INFORMATION CONTAINED HEREIN IS THE PROPRIETARY PROPERTY OF GT Contact CO.,LTD THE POSSESSOR AGREES TO THE FOLLOWING:

(1) TO MAINTAIN THIS DOCUMENT IN CONFIDENCE

(2) NOT TO REPRODUCE OR COPY IT

(3) NOT TO REVEAL OR PUBLISH IT IN WHOLE OR PART

(4) ALL RIGHTS RESERVED