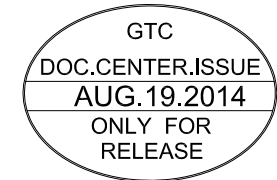
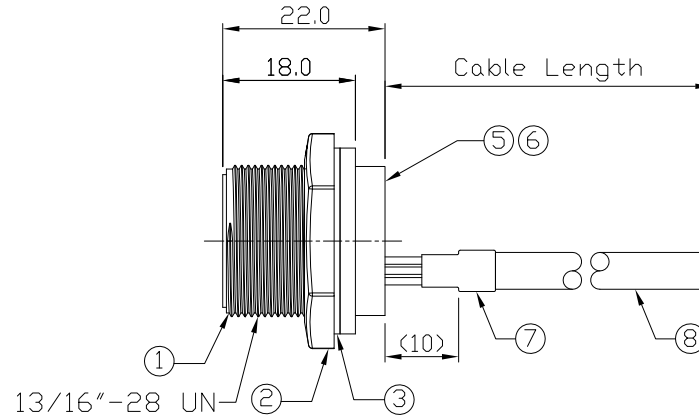
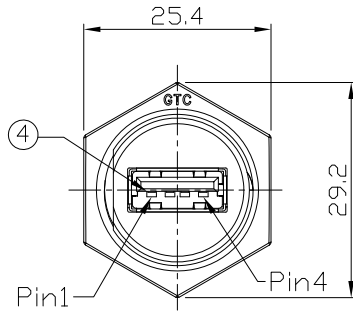


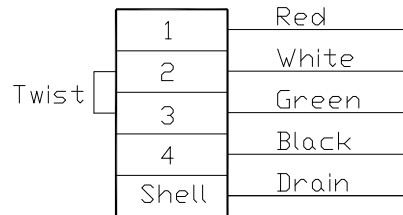
Notes: (Unless Otherwise Specified)

1. Waterproof Rate: IP67.
2. Recommend Panel Thickness: 0.8 to 6.0 mm.
3. Recommend Torque: 14~15 Kgf-cm.
4. Mating Cap P/N: GT1C5331X2.
5. RoHS Compliant.

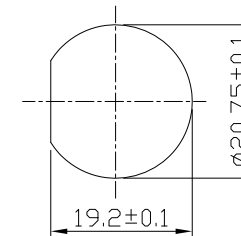
REV	ECN#	DESCRIPTION OF REVISION	DRAW BY DATE	CHECK BY DATE	APPROVE BY DATE
A0		Mass Production	Joyce 07/25/11	Lucas 07/25/11	Ray 07/25/11
A1	ECN-140805	Modify Item 7, Shrink Tube L=10mm to 20mm Δ 1	Joyce 08/07/14	Lucas 08/07/14	Ray 08/07/14



8	Cable	UL2725 1P*28AWG+2C*24AWG+Al/My+D+B OD=5.0mm, Color: Black	1
7	Shrink Tube	L=20mm Color: Black	1 Δ 1
6	Glue	Epoxy Color: Black	
5	PCB	FR-4 Color: —	1
4	USB-A Receptacle	Housing: Thermoplastic, Color: Black Contacts: Copper Alloy, Finish: Au Plated Shell: Copper Alloy, Finish: Ni Plated	1
3	Gasket	Silicone Color: Black	1
2	Hex Nut	Thermoplastic Color: Black	1
1	Housing	Thermoplastic Color: Black	1
Item	Part Name	Material / Finish	Q'ty



Wiring Diagram



Recommend Panel Cut-Out

GT116300-03-01	1000 mm	±50
GT116300-03-Z9	900 mm	±40
GT116300-03-Z8	800 mm	±40
GT116300-03-Z7	700 mm	±40
GT116300-03-Z6	600 mm	±40
GT116300-03-Z5	500 mm	±40
GT116300-03-Z4	400 mm	±20
GT116300-03-Z3	300 mm	±20
GT116300-03-Z2	200 mm	±10
GT116300-03-Z1	100 mm	±10
Part No.	Cable Length	Tol.

TITLE						DRAWING NUMBER			REV.	
USB-A Plastic C3 Panel Jack Screw With Cable						GT116300-03-XX			A1	
	B	1:1	Vicky 08/19/10	Ray 08/19/10	Ray 08/19/10	X.X ± 0.5 X.XX ± 0.2	X.XXX ± 0.05 ANGLES ± 1°	mm	1/1	
THIRD ANGLE PROJECTION	SIZE	SCALE	DRAW / DATE	CHECK / DATE	APPROVE / DATE	TOLERANCES		UNIT	SHEET	

GT Contact CO.,LTD

NOTICE OF PROPRIETARY PROPERTY:
THE INFORMATION CONTAINED HEREIN IS THE PROPRIETARY PROPERTY OF GT Contact CO.,LTD THE POSSESSOR AGREES TO THE FOLLOWING:
(a) TO MAINTAIN THIS DOCUMENT IN CONFIDENCE
(b) NOT TO REPRODUCE OR COPY IT
(c) NOT TO REVEAL OR PUBLISH IT IN WHOLE OR PART
(d) ALL RIGHTS RESERVED