

1

2

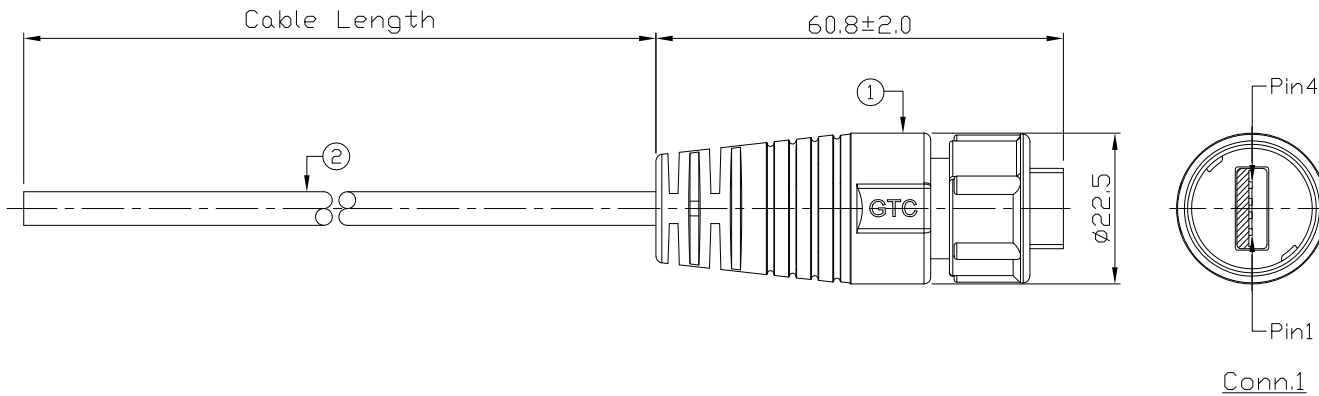
3

4

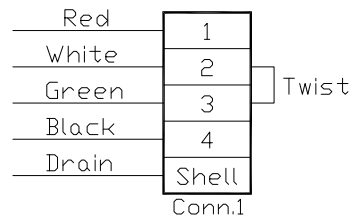
Notes: (Unless Otherwise Specified)

- 1. Waterproof Rate: IP67.
- 2. RoHS Compliant.

REV	ECN#	DESCRIPTION OF REVISION	DRAW BY DATE	CHECK BY DATE	APPROVE BY DATE
01			Jenny 01/05/23	Lucas 01/05/23	Ray 01/05/23



Part No.	Cable Length	Tol.
GT116220-01-10	10000 mm	+500
GT116220-01-09	9000 mm	+450
GT116220-01-08	8000 mm	+400
GT116220-01-07	7000 mm	+150
GT116220-01-06	6000 mm	+150
GT116220-01-05	5000 mm	+150
GT116220-01-04	4000 mm	+150
GT116220-01-03	3000 mm	+100
GT116220-01-02	2000 mm	+100
GT116220-01-01	1000 mm	+50
GT116220-01-29	900 mm	+50
GT116220-01-28	800 mm	+50
GT116220-01-27	700 mm	+50
GT116220-01-26	600 mm	+50
GT116220-01-25	500 mm	+50
GT116220-01-24	400 mm	+50
GT116220-01-23	300 mm	+25
GT116220-01-22	200 mm	+25
GT116220-01-21	100 mm	+25



Wiring Diagram

Item	Part Name	Material / Finish	Q'ty
2	Cable	UL2725 1P*28AWG+2C*24AWG+Al/My+D+B OD=5.0mm, Color: Black	1
1	USB-A Plastic C3 Cable End Plug Lock	GT Contact P/N: GT116220-01-XX	1

TITLE						DRAWING NUMBER			REV.	
USB-A Plastic C3 Cable End Plug Lock						GT116220-01-XX			01	
THIRD ANGLE PROJECTION	SIZE	SCALE	DRAW / DATE	CHECK / DATE	APPROVE / DATE	TOLERANCES	UNIT	SHEET		
	B	N/A	Jenny 01/05/23	Lucas 01/05/23	Ray 01/05/23	X.X ± 0.5 X.XX ± 0.2	mm	X.XXX ± 0.05 ANGLES ± 1°	1/1	

GT Contact CO.,LTD

NOTICE OF PROPRIETARY PROPERTY:  
THE INFORMATION CONTAINED HEREIN IS THE PROPRIETARY PROPERTY OF GT Contact CO.,LTD THE POSSESSOR AGREES TO THE FOLLOWING:  
(a) TO MAINTAIN THIS DOCUMENT IN CONFIDENCE  
(b) NOT TO REPRODUCE OR COPY IT  
(c) NOT TO REVEAL OR PUBLISH IT IN WHOLE OR PART  
(d) ALL RIGHTS RESERVED

1

2

3

4