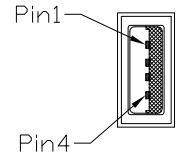
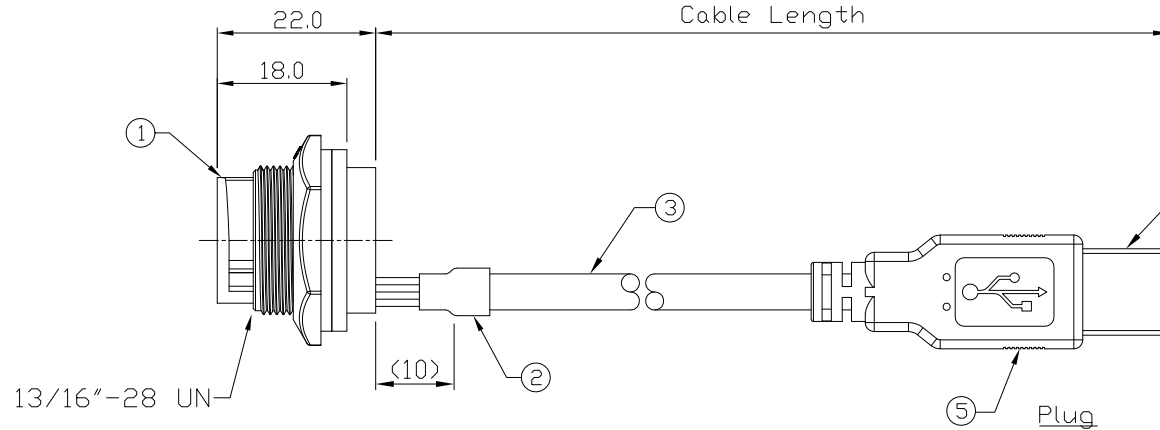
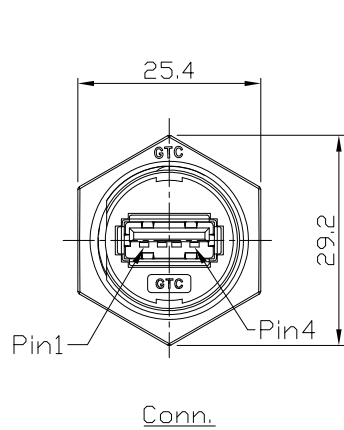


Notes: (Unless Otherwise Specified)

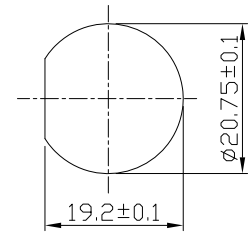
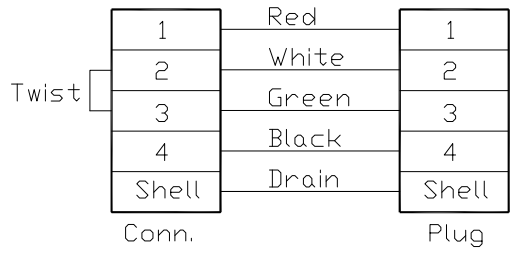
1. Waterproof Rate: IP67.
2. Recommend Panel Thickness: 0.8 to 4.0 mm.
3. Recommend Torque: 14~15 Kgf-cm.
4. Mating Cap P/N: GT1C1310X2.
5. RoHS Compliant.

REV	ECN#	DESCRIPTION OF REVISION	DRAW BY DATE	CHECK BY DATE	APPROVE BY DATE
A0			Jenny 11/05/21	Lucas 11/05/21	Ray 11/05/21



GTC  
DOC.CENTER.ISSUE  
NOV.05.2021  
ONLY FOR  
RELEASE

Item	Part Name	Material / Finish	Q'ty
5	Over Mold	PVC Color: Black	1
4	USB-A Plug	Housing: Thermoplastic, Color: Black Contacts: Copper Alloy, Finish: Au Plated Shell: Cold Roll Steel, Finish: Ni Plated	1
3	Cable	UL2725 1P*28AWG+2C*24AWG+Al/My+D+B OD=5.0mm, Color: Black	1
2	Shrink Tube	L=20mm Color: Black	1
1	GT116200-03-XX	USB-A Plastic C3 Panel Jack Lock With Pig Tail	1



GT116200-05-05	5000 mm	+150
GT116200-05-04	4000 mm	+150
GT116200-05-03	3000 mm	+100
GT116200-05-02	2000 mm	+100
GT116200-05-01	1000 mm	+50
GT116200-05-Z9	900 mm	+50
GT116200-05-Z8	800 mm	+50
GT116200-05-Z7	700 mm	+50
GT116200-05-Z6	600 mm	+50
GT116200-05-Z5	500 mm	+50
GT116200-05-Z4	400 mm	+50
GT116200-05-Z3	300 mm	+25
GT116200-05-Z2	200 mm	+25
GT116200-05-Z1	100 mm	+25
Part No.	Cable Length	Tol.

TITLE						DRAWING NUMBER			REV.	
USB-A Plastic C3 Panel Jack Lock With USB-A Plug						GT116200-05-XX			A0	
THIRD ANGLE PROJECTION	SIZE	SCALE	DRAW / DATE	CHECK / DATE	APPROVE / DATE	X.X ± 0.5	X.XXX ± 0.2	X.XXX ± 0.05	mm	1/1
						ANGLES ± 1°			UNIT	SHEET

GT Contact CO.,LTD

NOTICE OF PROPRIETARY PROPERTY:

THE INFORMATION CONTAINED HEREIN IS THE PROPRIETARY PROPERTY OF GT Contact CO.,LTD THE POSSESSOR AGREES TO THE FOLLOWING:

(1) TO MAINTAIN THIS DOCUMENT IN CONFIDENCE

(2) NOT TO REPRODUCE OR COPY IT

(3) NOT TO REVEAL OR PUBLISH IT IN WHOLE OR PART

(4) ALL RIGHTS RESERVED