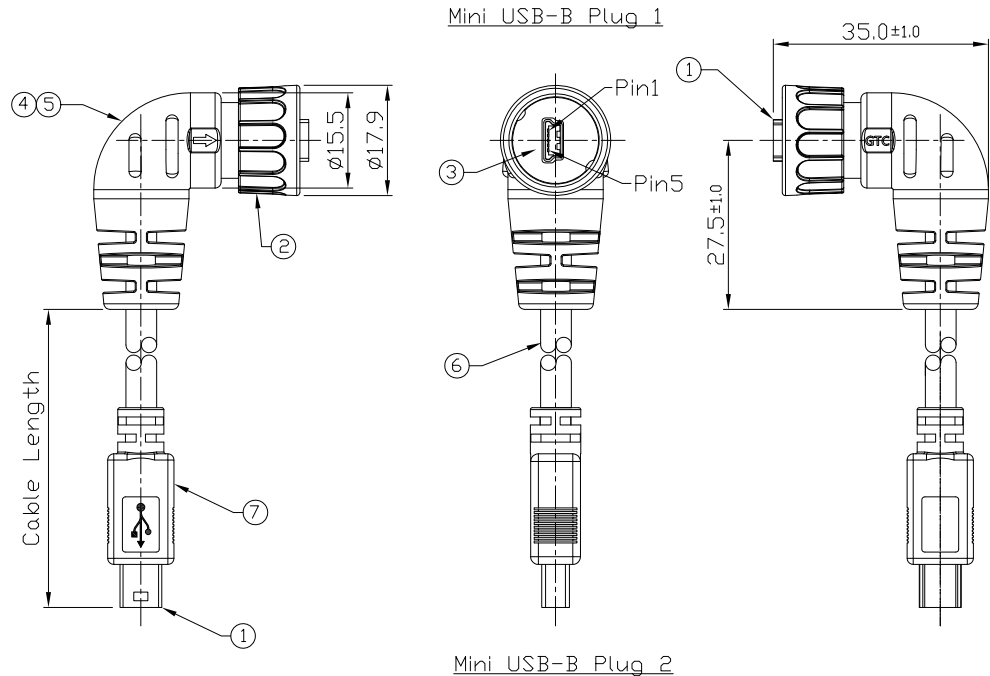


Notes: (Unless Otherwise Specified)
 1. Waterproof Rate: IP67.
 2. RoHS & REACH Compliant.

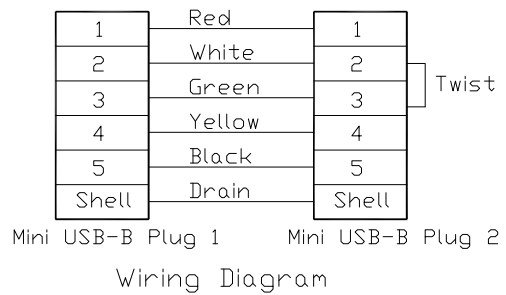
REV	ECN#	DESCRIPTION OF REVISION	DRAW BY DATE	CHECK BY DATE	APPROVE BY DATE
A0		Mass Production	Joyce 06/06/17	Lucas 06/06/17	Ray 06/06/17



GTC
 DOC.CENTER.ISSUE
 JUN.07.2017
 ONLY FOR
 RELEASE

Part No.	Cable Length	Tol.
GT114229-07-10	10000 mm	+500
GT114229-07-09	9000 mm	+450
GT114229-07-08	8000 mm	+400
GT114229-07-07	7000 mm	+150
GT114229-07-06	6000 mm	+150
GT114229-07-05	5000 mm	+150
GT114229-07-04	4000 mm	+150
GT114229-07-03	3000 mm	+100
GT114229-07-02	2000 mm	+100
GT114229-07-01	1000 mm	+50
GT114229-07-29	900 mm	+50
GT114229-07-28	800 mm	+50
GT114229-07-27	700 mm	+50
GT114229-07-26	600 mm	+50
GT114229-07-25	500 mm	+50
GT114229-07-24	400 mm	+50
GT114229-07-23	300 mm	+25
GT114229-07-22	200 mm	+25

7	Over Mold	PVC Color: Black	1
6	Cable	UL2725 1P*28AWG+3C*24AWG+AL/My+D+B Color: Black, OD=5.0mm	1
5	Over Mold	PVC Color: Black	1
4	Inner Mold	Thermoplastic Color: Black	1
3	Rubber Pad	Silicone Color: Black	1
2	Lock Nut	Thermoplastic Color: Black	1
1	Mini USB-B Plug	Housing: Thermoplastic, Color: Black Contacts: Copper Alloy, Finish: Au Plated Shell: SPCC, Finish: Ni Plated	2
Item	Part Name	Material / Finish	QTY



TITLE						DRAWING NUMBER			REV.	
Mini USB-B Plastic C2 Cable End Right Angle Plug Lock With Cable + Mini USB-B Plug						GT114229-07-XX			A0	
THIRD ANGLE PROJECTION	SIZE	SCALE	DRAW / DATE	CHECK / DATE	APPROVE / DATE	TOLERANCES		UNIT	SHEET	
	B	1:1	Joyce 06/06/17	Lucas 06/06/17	Ray 06/06/17	X.X ± 0.5 X.XX ± 0.2	X.XXX ± 0.05 ANGLES ± 1°	mm	1/1	

GT Contact CO.,LTD

NOTICE OF PROPRIETARY PROPERTY:
 THE INFORMATION CONTAINED HEREIN IS THE PROPRIETARY PROPERTY OF GT CONTACT CO.,LTD THE POSSESSOR AGREES TO THE FOLLOWING:
 (A) TO MAINTAIN THIS DOCUMENT IN CONFIDENCE
 (B) NOT TO REPRODUCE OR COPY IT
 (C) NOT TO REVEAL OR PUBLISH IT IN WHOLE OR PART
 (D) ALL RIGHTS RESERVED