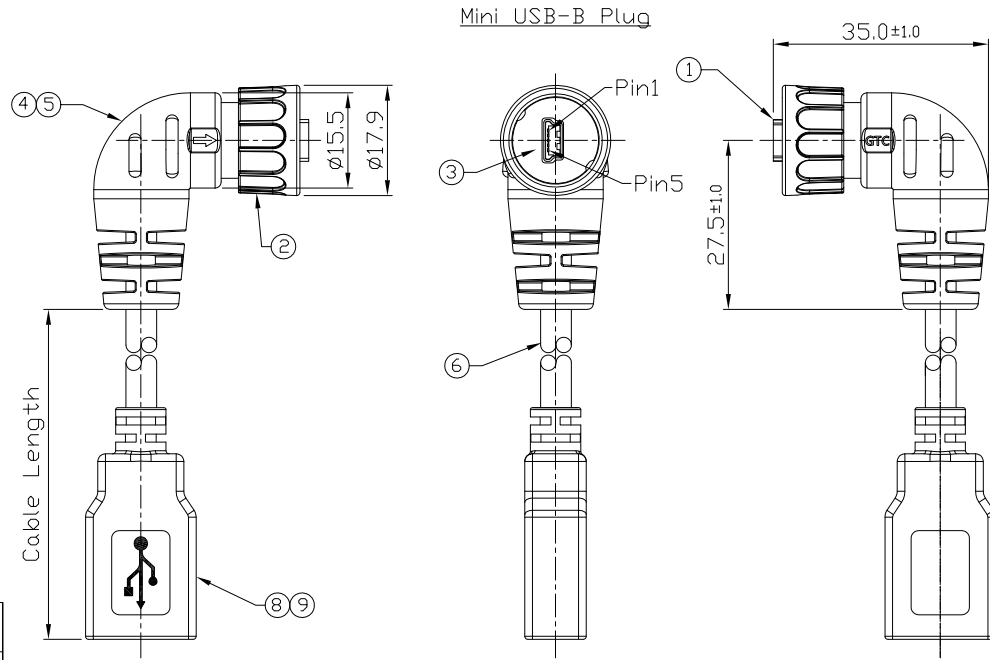


Notes: (Unless Otherwise Specified)
 1. Waterproof Rate: IP67.
 2. RoHS Compliant.

REV	ECN#	DESCRIPTION OF REVISION	DRAW BY DATE	CHECK BY DATE	APPROVE BY DATE
A0		Mass Production	Joyce 07/03/15	Lucas 07/03/15	Ray 07/03/15

GTC
 DOC.CENTER.ISSUE
 JUL.03.2015
 ONLY FOR
 RELEASE



Part No.	Cable Length	Tol.
GT114229-06-10	10000 mm	±500
GT114229-06-09	9000 mm	±450
GT114229-06-08	8000 mm	±400
GT114229-06-07	7000 mm	±150
GT114229-06-06	6000 mm	±150
GT114229-06-05	5000 mm	±150
GT114229-06-04	4000 mm	±150
GT114229-06-03	3000 mm	±150
GT114229-06-02	2000 mm	±100
GT114229-06-01	1000 mm	±50
GT114229-06-Z9	900 mm	±40
GT114229-06-Z8	800 mm	±40
GT114229-06-Z7	700 mm	±40
GT114229-06-Z6	600 mm	±40
GT114229-06-Z5	500 mm	±40
GT114229-06-Z4	400 mm	±20
GT114229-06-Z3	300 mm	±20
GT114229-06-Z2	200 mm	±10

9	Over Mold	PVC Color: Black	1
8	Inner Mold	Thermoplastic Color: White	1
7	USB-A Receptacle	Housing: Thermoplastic, Color: White Contacts: Copper Alloy, Finish: Gold Flash Shell: SPCC, Finish: Ni Plated	1
6	Cable	UL2725 1P*28AWG+2C*24AWG+AL/My+D+B Color: Black, OD=5.0mm	1
5	Over Mold	PVC Color: Black	1
4	Inner Mold	Thermoplastic Color: Black	1
3	Rubber Pad	Silicone Color: Black	1
2	Lock Nut	Thermoplastic Color: Black	1
1	Mini USB-B Plug	Housing: Thermoplastic, Color: Black Contacts: Copper Alloy, Finish: Au Plated Shell: SPCC, Finish: Ni Plated	1
Item	Part Name	Material / Finish	QTY

TITLE						DRAWING NUMBER			REV.	
Mini USB-B Plastic C2 Cable End Right Angle Plug Lock With Cable + USB-A Jack						GT114229-06-XX			A0	
THIRD ANGLE PROJECTION	SIZE	SCALE	DRAW / DATE	CHECK / DATE	APPROVE / DATE	TOLERANCES		UNIT	SHEET	
	B	1:1	Joyce 07/03/15	Lucas 07/03/15	Ray 07/03/15	X.X ± 0.5 X.XX ± 0.2	X.XXX ± 0.05 ANGLES ± 1°	mm	1/1	

GT Contact CO.,LTD

NOTICE OF PROPRIETARY PROPERTY:
 THE INFORMATION CONTAINED HEREIN IS THE PROPRIETARY PROPERTY OF GT Contact CO.,LTD THE POSSESSOR AGREES TO THE FOLLOWING:
 (1) TO MAINTAIN THIS DOCUMENT IN CONFIDENCE
 (2) NOT TO REPRODUCE OR COPY IT
 (3) NOT TO REVEAL OR PUBLISH IT IN WHOLE OR PART
 (4) ALL RIGHTS RESERVED