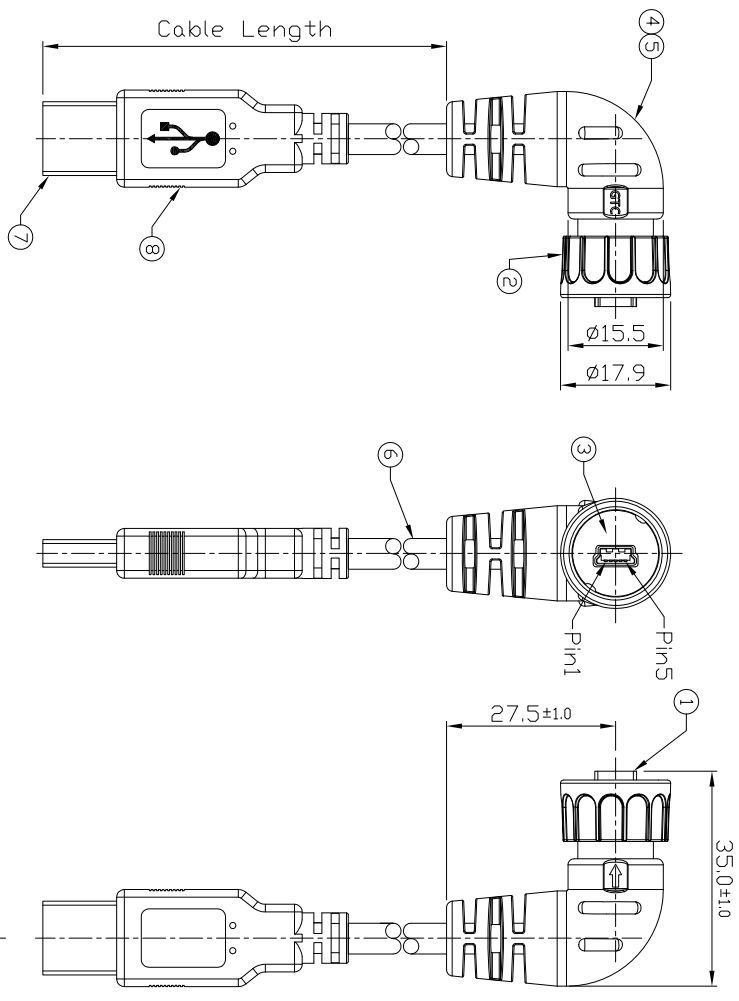


Notes: (Unless Otherwise Specified)
 1. Waterproof Rate: IP67.
 2. RoHS Compliant.

GTC
 DOC.CENTER/ISSUE
 NOV.11.2011
 ONLY FOR
 RELEASE

REV	ECN#	DESCRIPTION OF REVISION	DRAW BY DATE	CHECK BY DATE	APPROVE BY DATE
A0		Mass Production	Joyce 11/11/11	Lucas 11/11/11	Roy 11/11/11



USB-A		Mini USB-B	
1	Red	1	Red
2	White	2	White
3	Green	3	Green
4	N/C	4	N/C
5	Black	5	Black
Shell	Drain	Shell	Shell

Wiring Diagram

Item	Part Name	Material / Finish	QTY
1	Mini USB-B Plug	Housing: Thermal Plastic, Color: Black Contacts: Copper Alloy, Finish: Au Plated Shell: Cold Roll Steel, Finish: Ni Plated	1
2	Lock Nut	Thermal Plastic Color: Black	1
3	Rubber Pad	Silicone Color: Black	1
4	Inner Mold	Thermal Plastic Color: Black	1
5	Diver Mold	PVC Color: Black	1
6	Cable	UL2725 1P*28AWG+2C*24AWG+4V+1D+B Color: Black, DD=5.0mm	1
7	USB-A Plug	Housing: Thermal Plastic, Color: Black Contacts: Copper Alloy, Finish: Au Plated Shell: Cold Roll Steel, Finish: Ni Plated	1
8	Diver Mold	PVC Color: Black	1

TITLE
 Mini USB-B Plastic C2 Cable End Left Angle Plug Lock With Cable+USB-A Plug

THIRD ANGLE PROJECTION	SIZE	SCALE	DRAW / DATE	CHECK / DATE	APPROVE / DATE	DRAWING NUMBER	TOLERANCES	UNIT	SHEET	REV.
1	B	1:1	David 06/21/10	Roy 06/21/10	Roy 06/21/10	GT114221-05-XX	± 0.05 ANGLES ± 1°	mm	1/1	A0

GT114221-05-10	10000 mm	±500
GT114221-05-09	9000 mm	±450
GT114221-05-08	8000 mm	±400
GT114221-05-07	7000 mm	±350
GT114221-05-06	6000 mm	±300
GT114221-05-05	5000 mm	±250
GT114221-05-04	4000 mm	±200
GT114221-05-03	3000 mm	±150
GT114221-05-02	2000 mm	±100
GT114221-05-01	1000 mm	±50
GT114221-05-Z5	500 mm	±40

GT Contact CD,LT,D

NOTICE OF PROPRIETARY PROPERTY
 THE INFORMATION CONTAINED HEREIN IS THE PROPRIETARY PROPERTY OF GT CONTACT CO.,LTD THE POSSESSOR AGREES TO THE FOLLOWING
 1) TO MAINTAIN THIS DOCUMENT IN CONFIDENCE
 2) NOT TO REPRODUCE OR PUBLISH IT IN WHOLE OR PART
 3) ALL RIGHTS RESERVED