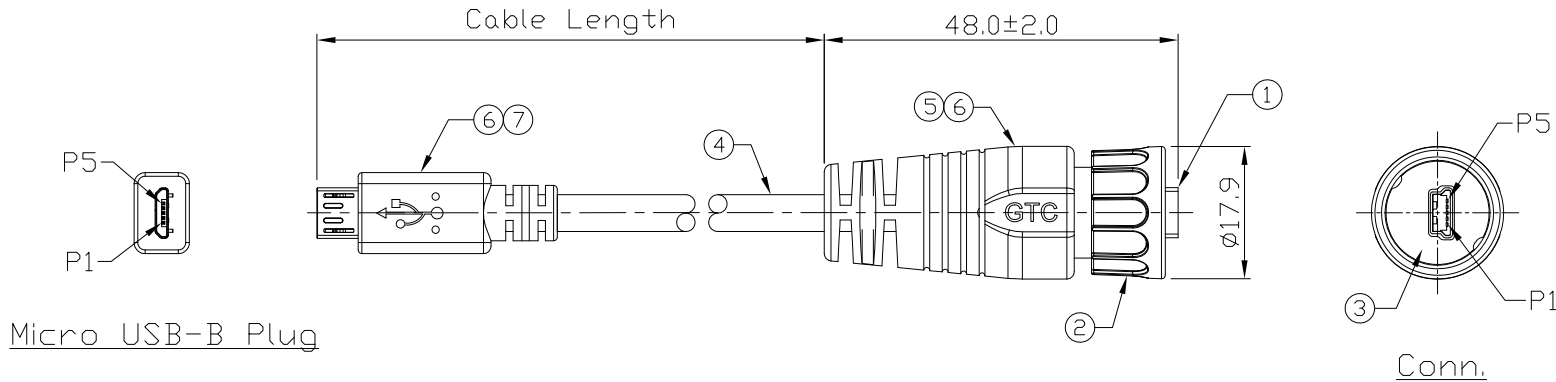


Notes: (Unless Otherwise Specified)

1. Waterproof Rate: IP67.
2. RoHS Compliant.

REV	ECN#	DESCRIPTION OF REVISION	DRAW BY DATE	CHECK BY DATE	APPROVE BY DATE
01			Hank 05/29/19	Lucas 05/29/19	Ray 05/29/19

GTC
DOC.CENTER.ISSUE
MAY.30.2019
ONLY FOR
RELEASE



Micro USB-B Plug

Micro USB-B

Conn.



Wiring Diagram

Part No.	Cable Length	Tol.
GT114220-0P-10	10000 mm	+500
GT114220-0P-09	9000 mm	+450
GT114220-0P-08	8000 mm	+400
GT114220-0P-07	7000 mm	+150
GT114220-0P-06	6000 mm	+150
GT114220-0P-05	5000 mm	+150
GT114220-0P-04	4000 mm	+150
GT114220-0P-03	3000 mm	+100
GT114220-0P-02	2000 mm	+100
GT114220-0P-01	1000 mm	+50
GT114220-0P-Z9	900 mm	+50
GT114220-0P-Z8	800 mm	+50
GT114220-0P-Z7	700 mm	+50
GT114220-0P-Z6	600 mm	+50
GT114220-0P-Z5	500 mm	+50
GT114220-0P-Z4	400 mm	+50
GT114220-0P-Z3	300 mm	+25

Item	Part Name	Material / Finish	QTY
7	Micro USB-B Plug	Contacts: Copper Alloy; Finish: Au Plated Housing: Thermoplastic; Color: Black Shell: Copper Alloy; Finish: Ni Plated	1
6	Over Mold	PVC Color: Black	2
5	Inner Mold	Thermoplastic Color: Black	1
4	Cable	UL2725 1P*28AWG+3C*24AWG+Al/My+D+B Color: Black, ØD=5.0mm	1
3	Rubber Pad	Silicone Color: Black	1
2	Lock Nut	Thermoplastic Color: Black	1
1	Mini USB-B Plug	Housing: Thermoplastic, Color: Black Contacts: Copper Alloy, Finish: Au Plated Shell: Cold Roll Steel, Finish: Ni Plated	1

GT Contact CO.,LTD

NOTICE OF PROPRIETARY PROPERTY:
THE INFORMATION CONTAINED HEREIN IS THE PROPRIETARY PROPERTY OF GT Contact CO.,LTD THE POSSESSOR AGREES TO THE FOLLOWING:
(a) TO MAINTAIN THIS DOCUMENT IN CONFIDENCE
(b) NOT TO REPRODUCE OR COPY IT
(c) NOT TO REVEAL OR PUBLISH IT IN WHOLE OR PART
(d) ALL RIGHTS RESERVED

TITLE						DRAWING NUMBER			REV.
Mini USB-B Plastic C2 Cable End Plug Lock With Micro USB-B Plug						GT114220-0P-XX			01
THIRD ANGLE PROJECTION	SIZE	SCALE	DRAW / DATE	CHECK / DATE	APPROVE / DATE	TOLERANCES	UNIT	SHEET	
	B	1:1	Hank 05/29/19	Lucas 05/29/19	Ray 05/29/19	X.X ± 0.5 X.XX ± 0.2	X.XXX ± 0.05 ANGLES ± 1°	mm 1/1	