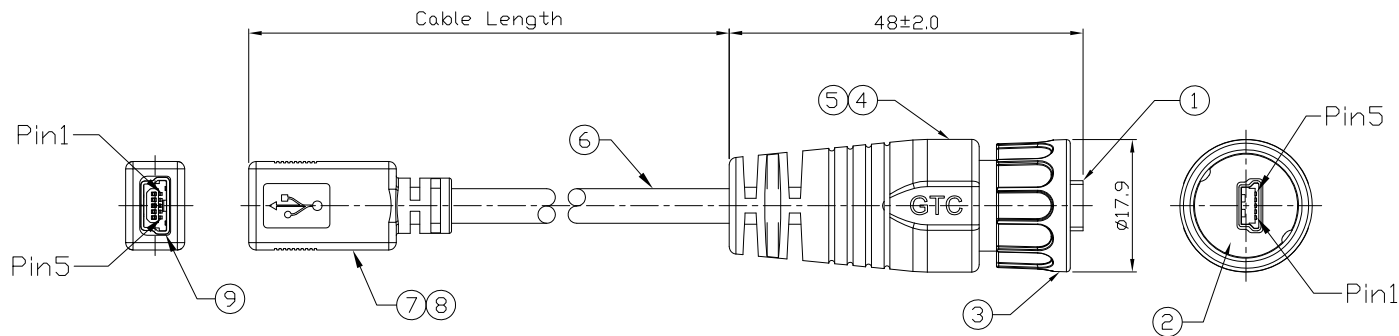


Notes: (Unless Otherwise Specified)

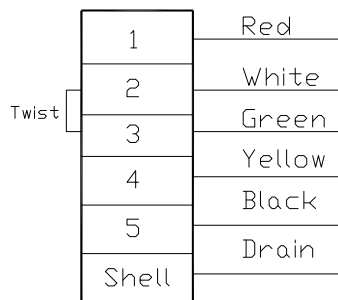
- 1. Waterproof Rate : IP67.
- 2. RoHS Compliant.

REV	ECN#	DESCRIPTION OF REVISION	DRAW BY DATE	CHECK BY DATE	APPROVE BY DATE
A2		Modify Wiring Diagram	Vicky 03/07/11	Ray 03/07/11	Ray 03/07/11
A3		Marked Δ_3	Joyce 08/02/11	Lucas 08/02/11	Ray 08/02/11
A4	ECN-141115	GT114220-0E-XX=>GT114220-08-XX Modify Wiring Diagram	Lucas 12/11/14	Lucas 12/11/14	Ray 12/11/14



GTC
DOC.CENTER.ISSUE
DEC.15.2014
ONLY FOR
RELEASE

9	Mini USB-B Receptacle	Housing: Thermoplastic Color: Black Contacts: Copper Alloy, Finish: Au Plated Shell: Copper Alloy, Finish: Ni Plated	1
8	Over Mold	PVC Color: Black	1
7	Inner Mold	Thermoplastic Color: Black	1
6	Cable	UL2725 1P*28AWG+3C*24AWG+Al/My+D+B OD=5.0mm, Color: Black	1
5	Over Mold	PVC Color: Black	1
4	Inner Mold	Thermoplastic Color: Black	1
3	Lock Nut	Thermoplastic Color: Black	1
2	Rubber Pad	Silicone Color: Black	1
1	Mini USB-B Plug	Housing: Thermoplastic, Color: Black Contacts: Copper Alloy, Finish: Au Plated Shell: Cold Roll Steel, Finish: Ni Plated	1
Item	Part Name	Material / Finish	Q'ty



Δ_3 Wiring Diagram

GT114220-08-10	10000 mm	±500
GT114220-08-09	9000 mm	±450
GT114220-08-08	8000 mm	±400
GT114220-08-07	7000 mm	±150
GT114220-08-06	6000 mm	±150
GT114220-08-05	5000 mm	±150
GT114220-08-04	4000 mm	±150
GT114220-08-03	3000 mm	±150
GT114220-08-02	2000 mm	±100
GT114220-08-01	1000 mm	±50
GT114220-08-Z9	900 mm	±40
GT114220-08-Z5	500 mm	±40
GT114220-08-Z3	300 mm	±20
Part No.	Cable Length	Tol.

GT Contact CO.,LTD

NOTICE OF PROPRIETARY PROPERTY:
THE INFORMATION CONTAINED HEREIN IS THE PROPRIETARY PROPERTY OF GT Contact CO.,LTD THE POSSESSOR AGREES TO THE FOLLOWING:
(1) TO MAINTAIN THIS DOCUMENT IN CONFIDENCE
(2) NOT TO REPRODUCE OR COPY IT
(3) NOT TO REVEAL OR PUBLISH IT IN WHOLE OR PART
(4) ALL RIGHTS RESERVED

TITLE						DRAWING NUMBER			REV.	
Mini USB-B Plastic C2 Cable End Plug Lock With Mini USB-B Receptacle						GT114220-08-XX			A4	
	B	1:1	Karen 09/02/09	Ray 09/02/09	Ray 09/02/09	X.X ± 0.5 X.XX ± 0.2	X.XXX ± 0.05 ANGLES ± 1°	mm	1/1	
THIRD ANGLE PROJECTION	SIZE	SCALE	DRAW / DATE	CHECK / DATE	APPROVE / DATE	TOLERANCES		UNIT	SHEET	