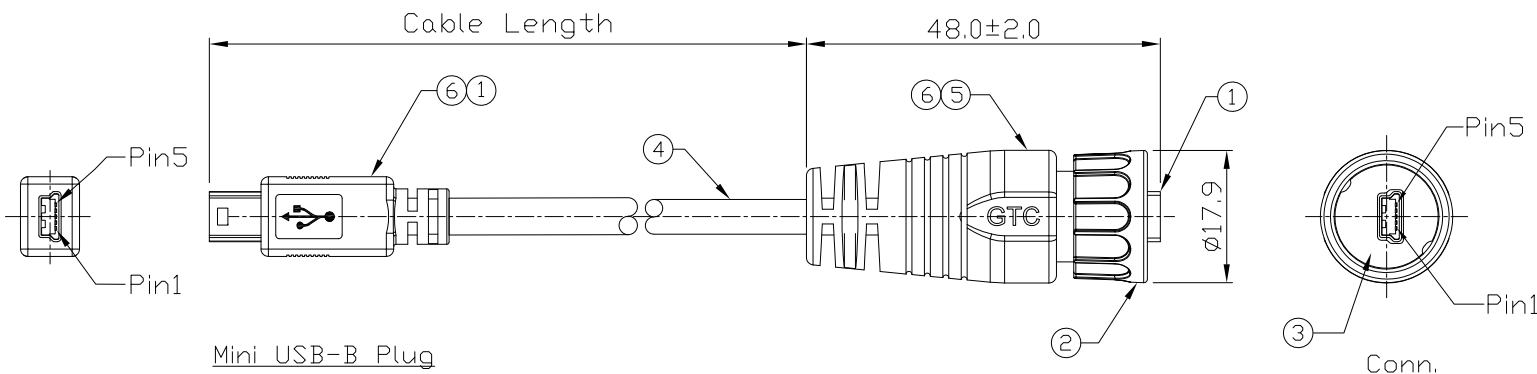


Notes: (Unless Otherwise Specified)  
 1. Waterproof Rate: IP67.  
 2. RoHS & REACH Compliant.

REV	ECN#	DESCRIPTION OF REVISION	DRAW BY DATE	CHECK BY DATE	APPROVE BY DATE
01			Viola 06/06/17	Lucas 06/06/17	Ray 06/06/17



GTC  
 DOC.CENTER.ISSUE  
 JUN.08.2017  
 ONLY FOR  
 RELEASE

Part No.	Cable Length	Tol.
GT114220-07-10	10000 mm	+500
GT114220-07-09	9000 mm	+450
GT114220-07-08	8000 mm	+400
GT114220-07-07	7000 mm	+150
GT114220-07-06	6000 mm	+150
GT114220-07-05	5000 mm	+150
GT114220-07-04	4000 mm	+150
GT114220-07-03	3000 mm	+100
GT114220-07-02	2000 mm	+100
GT114220-07-01	1000 mm	+50
GT114220-07-Z9	900 mm	+50
GT114220-07-Z8	800 mm	+50
GT114220-07-Z7	700 mm	+50
GT114220-07-Z6	600 mm	+50
GT114220-07-Z5	500 mm	+50
GT114220-07-Z4	400 mm	+50
GT114220-07-Z3	300 mm	+25
GT114220-07-Z2	200 mm	+25

Item	Part Name	Material / Finish	QTY
6	Over Mold	PVC Color: Black	2
5	Inner Mold	Thermoplastic Color: Black	1
4	Cable	UL2725 1P*28AWG+3C*24AWG+Al/My+D+B Color: Black, OD=5.0mm	1
3	Rubber Pad	Silicone Color: Black	1
2	Lock Nut	Thermoplastic Color: Black	1
1	Mini USB-B Plug	Housing: Thermoplastic, Color: Black Contacts: Copper Alloy, Finish: Au Plated Shell: Cold Roll Steel, Finish: Ni Plated	2



Mini USB-B Plug  
 Wiring Diagram

TITLE						DRAWING NUMBER			REV.
Mini USB-B Plastic C2 Cable End Plug Lock With Mini USB-B Plug						GT114220-07-XX			01
THIRD ANGLE PROJECTION	SIZE	SCALE	DRAW / DATE	CHECK / DATE	APPROVE / DATE	TOLERANCES	UNIT	SHEET	
	B	1:1	Viola 06/06/17	Lucas 06/06/17	Ray 06/06/17	X.X ± 0.5 X.XX ± 0.2	X.XXX ± 0.05 ANGLES ± 1°	mm 1/1	

GT Contact CO.,LTD

NOTICE OF PROPRIETARY PROPERTY:  
 THE INFORMATION CONTAINED HEREIN IS THE PROPRIETARY PROPERTY OF GT Contact CO.,LTD THE POSSESSOR AGREES TO THE FOLLOWING:  
 (i) TO MAINTAIN THIS DOCUMENT IN CONFIDENCE  
 (ii) NOT TO REPRODUCE OR COPY IT  
 (iii) NOT TO REVEAL OR PUBLISH IT IN WHOLE OR PART  
 (iv) ALL RIGHTS RESERVED