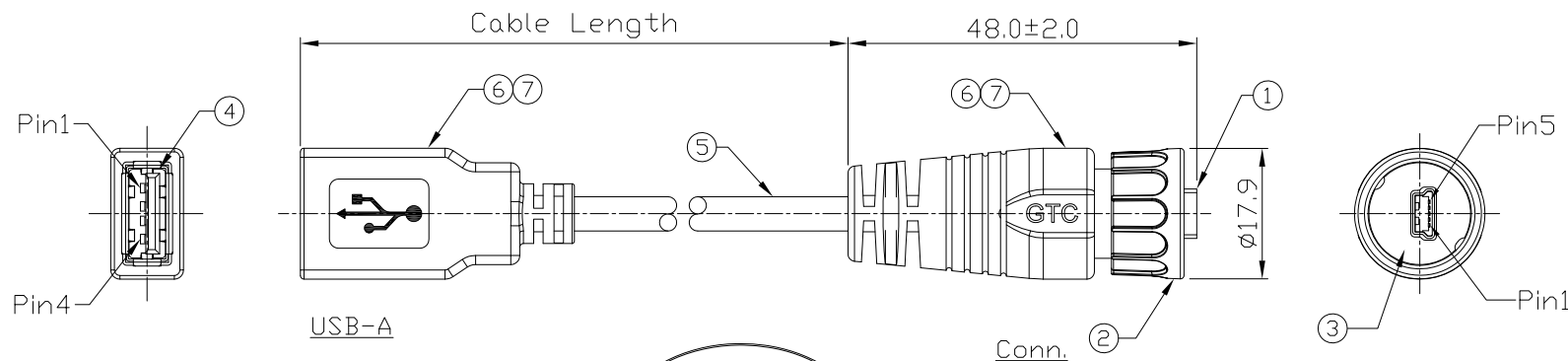


Notes: (Unless Otherwise Specified)

1. Waterproof Rate: IP67.
2. RoHS Compliant.

REV	ECN#	DESCRIPTION OF REVISION	DRAW BY DATE	CHECK BY DATE	APPROVE BY DATE
A0		Mass Production	Joyce 05/04/11	Lucas 05/04/11	Ray 05/04/11
A1	ECN-121117	Change USB-A Receptacle Color & Supplier	Joyce 12/17/12	Lucas 12/17/12	Ray 12/17/12



Part No.	Cable Length	Tol.
GT114220-06-10	10000 mm	±500
GT114220-06-09	9000 mm	±450
GT114220-06-08	8000 mm	±400
GT114220-06-07	7000 mm	±350
GT114220-06-06	6000 mm	±300
GT114220-06-05	5000 mm	±250
GT114220-06-04	4000 mm	±200
GT114220-06-03	3000 mm	±150
GT114220-06-02	2000 mm	±100
GT114220-06-01	1000 mm	±50
GT114220-06-Z9	900 mm	±40
GT114220-06-Z8	800 mm	±40
GT114220-06-Z7	700 mm	±40
GT114220-06-Z6	600 mm	±40
GT114220-06-Z5	500 mm	±40
GT114220-06-Z4	400 mm	±20
GT114220-06-Z3	300 mm	±10
GT114220-06-Z2	200 mm	±10

7	Over Mold	PVC Color: Black	2
6	Inner Mold	Thermoplastic Color: Black	1
5	Cable	UL2725 1P*28AWG+2C*24AWG+Al/My+D+B Color: Black, OD=5.0mm	1
4	USB-A Receptacle	Housing: Thermoplastic, Color: White Contacts: Copper Alloy, Finish: Gold Flash Shell: SPCC, Finish: Ni Plated	1
3	Rubber Pad	Silicone Color: Black	1
2	Lock Nut	Thermoplastic Color: Black	1
1	Mini USB-B Plug	Housing: Thermoplastic, Color: Black Contacts: Copper Alloy, Finish: Au Plated Shell: Cold Roll Steel, Finish: Ni Plated	1
Item	Part Name	Material / Finish	QTY



Wiring Diagram

TITLE						DRAWING NUMBER			REV.	
Mini USB-B Plastic C2 Cable End Plug Lock With UAB-A Receptacle						GT114220-06-XX			A1	
	B	1:1	Joyce 05/04/11	Lucas 05/04/11	Ray 05/04/11	X.X ± 0.5 X.XX ± 0.2	X.XXX ± 0.05 ANGLES ± 1°	mm	1/1	
THIRD ANGLE PROJECTION	SIZE	SCALE	DRAW / DATE	CHECK / DATE	APPROVE / DATE	TOLERANCES		UNIT	SHEET	

GT Contact CO.,LTD

NOTICE OF PROPRIETARY PROPERTY:  
THE INFORMATION CONTAINED HEREIN IS THE PROPRIETARY PROPERTY OF GT Contact CO.,LTD THE POSSESSOR AGREES TO THE FOLLOWING:  
(i) TO MAINTAIN THIS DOCUMENT IN CONFIDENCE  
(ii) NOT TO REPRODUCE OR COPY IT  
(iii) NOT TO REVEAL OR PUBLISH IT IN WHOLE OR PART  
(iv) ALL RIGHTS RESERVED