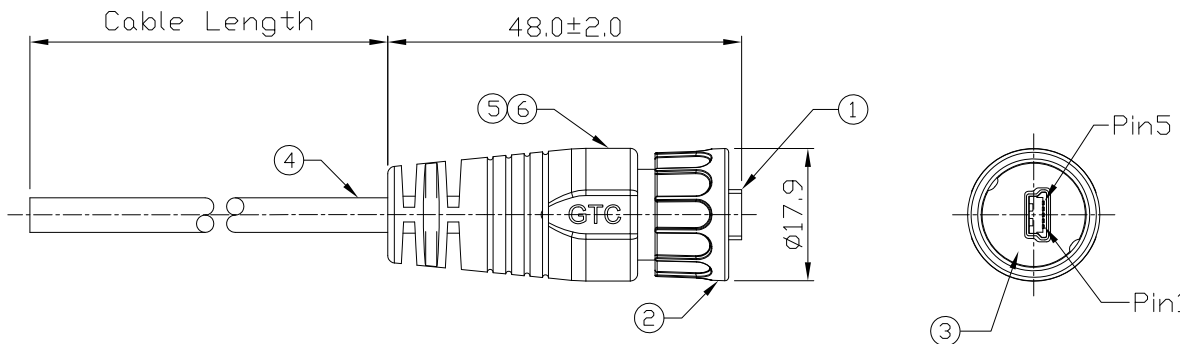


Notes: (Unless Otherwise Specified)  
 1. Waterproof Rate: IP67.  
 2. RoHS Compliant.

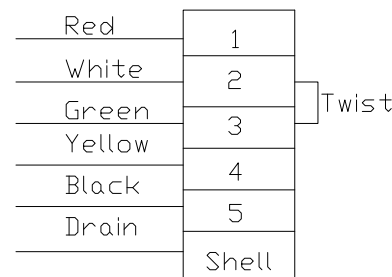
REV	ECN#	DESCRIPTION OF REVISION	DRAW BY DATE	CHECK BY DATE	APPROVE BY DATE
A0		Mass Production	Joyce 12/15/11	Lucas 12/15/11	Ray 12/15/11
A1	ECN-141115	GT114220-0D-XX=>GT114220-01-XX	Lucas 12/05/14	Lucas 12/05/14	Ray 12/05/14

GTC  
 DOC.CENTER.ISSUE  
 DEC.15.2014  
 ONLY FOR  
 RELEASE



Part No.	Cable Length	Tol.
GT114220-01-10	10000 mm	±500
GT114220-01-09	9000 mm	±450
GT114220-01-08	8000 mm	±400
GT114220-01-07	7000 mm	±150
GT114220-01-06	6000 mm	±150
GT114220-01-05	5000 mm	±150
GT114220-01-04	4000 mm	±150
GT114220-01-03	3000 mm	±150
GT114220-01-02	2000 mm	±100
GT114220-01-01	1000 mm	±50
GT114220-01-Z9	900 mm	±40
GT114220-01-Z8	800 mm	±40
GT114220-01-Z7	700 mm	±40
GT114220-01-Z6	600 mm	±40
GT114220-01-Z5	500 mm	±40
GT114220-01-Z4	400 mm	±20
GT114220-01-Z3	300 mm	±20

Item	Part Name	Material / Finish	Q'TY
6	Over Mold	PVC Color: Black	1
5	Inner Mold	Thermoplastic Color: Black	1
4	Cable	UL2725 1P*28AWG+3C*24AWG+Al/My+D+B Color: Black, OD=5.0mm	1
3	Rubber Pad	Silicone Color: Black	1
2	Lock Nut	Thermoplastic Color: Black	1
1	Mini USB-B Plug	Housing: Thermoplastic, Color: Black Contacts: Copper Alloy, Finish: Au Plated Shell: Cold Roll Steel, Finish: Ni Plated	1



Wiring Diagram

TITLE						DRAWING NUMBER			REV.
Mini USB-B Plastic C2 Cable End Plug Lock						GT114220-01-XX			A1
THIRD ANGLE PROJECTION	SIZE	SCALE	DRAW / DATE	CHECK / DATE	APPROVE / DATE	TOLERANCES	UNIT	SHEET	
THIRD ANGLE PROJECTION	B	1:1	Karen 09/10/09	Ray 09/10/09	Ray 09/10/09	X.X ± 0.5 X.XX ± 0.2	mm	1/1	
						X.XXX ± 0.05 ANGLES ± 1°			

GT Contact CO.,LTD

NOTICE OF PROPRIETARY PROPERTY:  
 THE INFORMATION CONTAINED HEREIN IS THE PROPRIETARY PROPERTY OF GT Contact CO.,LTD THE POSSESSOR AGREES TO THE FOLLOWING:  
 (a) TO MAINTAIN THIS DOCUMENT IN CONFIDENCE  
 (b) NOT TO REPRODUCE OR COPY IT  
 (c) NOT TO REVEAL OR PUBLISH IT IN WHOLE OR PART  
 (d) ALL RIGHTS RESERVED