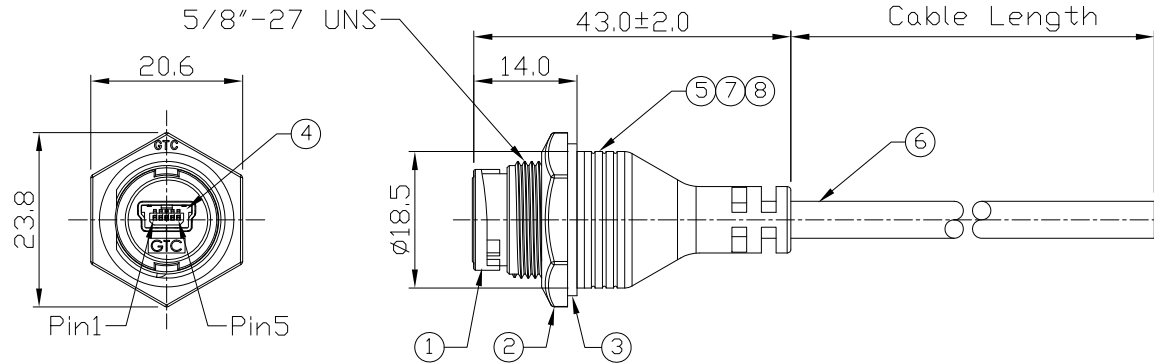


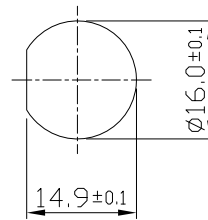
Notes: (Unless Otherwise Specified)

- 1. Waterproof Rate: IP67.
- 2. Recommend Panel Thickness: 0.8 to 3.0 mm.
- 3. Recommend Torque: 9~10 Kgf-cm.
- 4. Mating Cap P/N: GT1C1210X2.
- 5. RoHS Compliant.

REV	ECN#	DESCRIPTION OF REVISION	DRAW BY DATE	CHECK BY DATE	APPROVE BY DATE
A0		Mass Production	Joyce 05/04/11	Lucas 05/04/11	Ray 05/04/11
A1	ECN-111106	Modify Notes Mating Cap P/N	Joyce 11/14/11	Lucas 11/14/11	Ray 11/14/11
A2	ECN-141115	Change Cable Type	Lucas 12/05/14	Lucas 12/05/14	Ray 12/05/14



8	Over Mold	PVC Color: Black	1
7	Inner Mold	Thermoplastic Color: White Or Black	1
6	Cable	UL2725 1P*28AWG+3C*24AWG+Al/My+D+B Color: Black, OD=5.0mm	1
5	PCB	FR-4 Color: _____	1
4	Mini USB-B Receptacle	Housing: Thermoplastic, Color: Black Contacts: Copper Alloy, Finish: Au Plated Shell: Copper Alloy, Finish: Ni Plated	1
3	Gasket	Silicone Color: Black	1
2	Hex Nut	Thermoplastic Color: Black	1
1	Housing	Thermoplastic Color: Black	1
Item	Part Name	Material / Finish	Q'ty



Recommend Panel Cut-Out



Wiring Diagram

GT114210-01-10	10000 mm	±500
GT114210-01-09	9000 mm	±450
GT114210-01-08	8000 mm	±400
GT114210-01-07	7000 mm	±150
GT114210-01-06	6000 mm	±150
GT114210-01-05	5000 mm	±150
GT114210-01-04	4000 mm	±150
GT114210-01-03	3000 mm	±150
GT114210-01-02	2000 mm	±100
GT114210-01-01	1000 mm	±50
GT114210-01-Z5	500 mm	±40
Part No.	Cable Length	Tol.

GT Contact CO.,LTD

NOTICE OF PROPRIETARY PROPERTY:

THE INFORMATION CONTAINED HEREIN IS THE PROPRIETARY PROPERTY OF GT Contact CO.,LTD THE POSSESSOR AGREES TO THE FOLLOWING:

- (1) TO MAINTAIN THIS DOCUMENT IN CONFIDENCE
- (2) NOT TO REPRODUCE OR COPY IT
- (3) NOT TO REVEAL OR PUBLISH IT IN WHOLE OR PART
- (4) ALL RIGHTS RESERVED

TITLE						DRAWING NUMBER			REV.	
Mini USB-B Plastic C2 Cable To Cable Jack Lock						GT114210-01-XX			A2	
	B	1:1	Joyce 05/04/11	Lucas 05/04/11	Ray 05/04/11	X.X ± 0.5 X.XX ± 0.2	X.XXX ± 0.05 ANGLES ± 1°	mm	1/1	
THIRD ANGLE PROJECTION	SIZE	SCALE	DRAW / DATE	CHECK / DATE	APPROVE / DATE	TOLERANCES		UNIT	SHEET	