

1

2

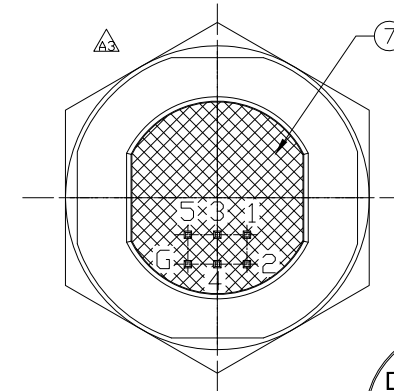
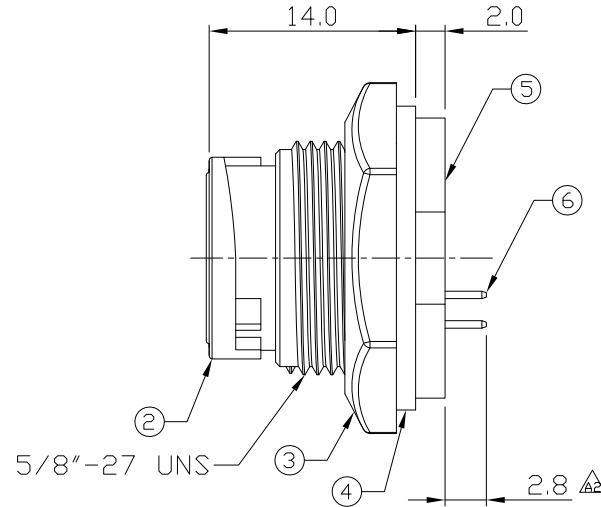
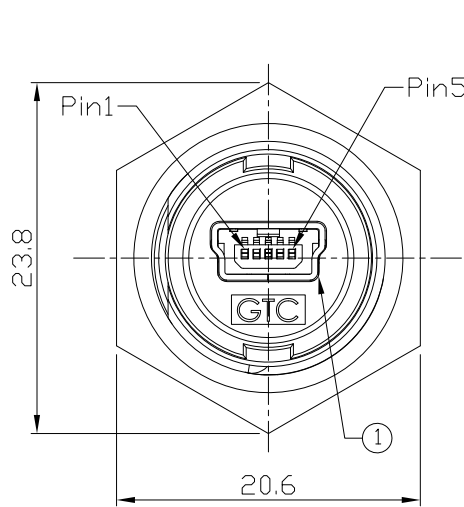
3

4

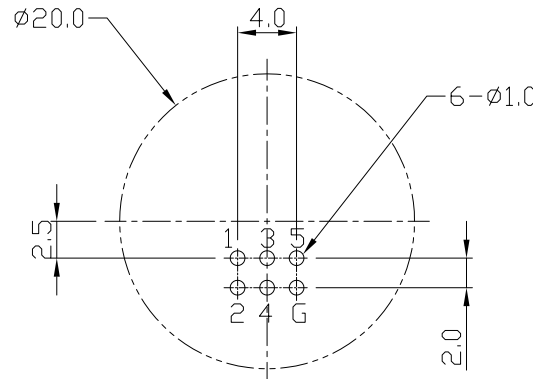
Notes: (Unless Otherwise Specified)

- 1. Waterproof Rate: IP67.
- 2. Recommend Panel Thickness: 0.8 to 3.0 mm.
- 3. Recommend Torque: 9~10 Kgf-cm.
- 4. Mating Cap P/N: GT1C1210X2.
- 5. RoHS Compliant.

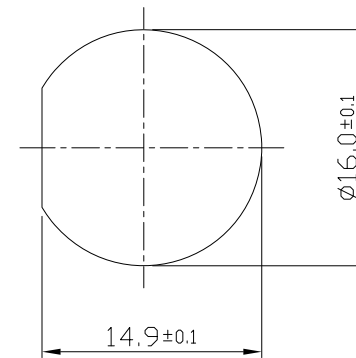
REV	ECN#	DESCRIPTION OF REVISION	DRAW BY DATE	CHECK BY DATE	APPROVE BY DATE
A1	ECN-101104	Marked	Vicky 11/17/10	Ray 11/17/10	Ray 11/17/10
A2	ECN-110609	Marked	Joyce 06/28/11	Lucas 06/28/11	Ray 06/28/11
A3	ECN-140209	Marked	Joyce 02/20/14	Lucas 02/20/14	Ray 02/20/14



GTC
DOC.CENTER.ISSUE
FEB.20.2014
ONLY FOR
RELEASE



Recommend PCB Layout



Recommend Panel Cut-Out

7	Glue	Epoxy Color: Black	
6	Pin Header	Housing: Thermoplastic, Color: Black	1
		Contacts: Copper Alloy, Finish: Au Plated	
5	PCB	FR-4 Color: Green	1
4	Gasket	Silicone Color: Black	1
3	Hex Nut	Thermoplastic Color: Black	1
2	Housing	Thermoplastic Color: Black	1
1	Mini USB-B Receptacle	Housing: Thermoplastic, Color: Black	
		Contacts: Copper Alloy, Finish: Au Plated	1
		Shell: Copper Alloy, Finish: Ni Plated	
Item	Part Name	Material / Finish	Q'ty

TITLE						DRAWING NUMBER			REV.	
Mini USB-B Plastic C2 Panel Jack Dip Lock						GT114200-10			A3	
	B	2:1	Karen 05/21/09	Ray 05/21/09	Ray 05/21/09	X.X ± 0.5 X.XX ± 0.2	X.XXX ± 0.05 ANGLES ± 1°	mm	1/1	
THIRD ANGLE PROJECTION	SIZE	SCALE	DRAW / DATE	CHECK / DATE	APPROVE / DATE	TOLERANCES		UNIT	SHEET	

GT Contact CO.,LTD

NOTICE OF PROPRIETARY PROPERTY:

THE INFORMATION CONTAINED HEREIN IS THE PROPRIETARY PROPERTY OF GT Contact CO.,LTD THE POSSESSOR AGREES TO THE FOLLOWING:

- (i) TO MAINTAIN THIS DOCUMENT IN CONFIDENCE
- (ii) NOT TO REPRODUCE OR COPY IT
- (iii) NOT TO REVEAL OR PUBLISH IT IN WHOLE OR PART
- (iv) ALL RIGHTS RESERVED

1

2

3

4