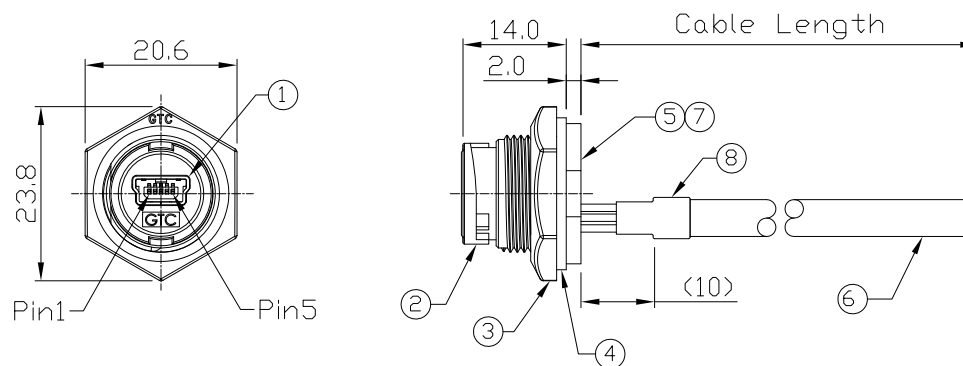


Notes: (Unless Otherwise Specified)

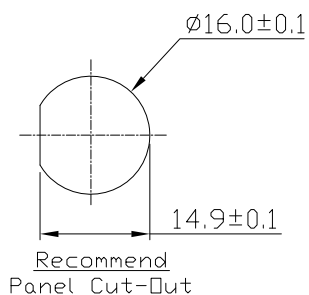
1. Waterproof Rate: IP67.
2. Recommend Panel Thickness: 0.8 to 3.0 mm.
3. Recommend Torque: 9~10 Kgf-cm.
4. Mating Cap P/N: GT1C1210X2.
5. RoHS Compliant.

REV	ECN#	DESCRIPTION OF REVISION	DRAW BY DATE	CHECK BY DATE	APPROVE BY DATE
A1			Lucas 04/09/12	Lucas 04/09/12	Ray 04/09/12
A2	ECN-140805	Modify Item 8, Shrink Tube L=10mm to 20mm $\Delta 2$	Joyce 08/07/14	Lucas 08/07/14	Ray 08/07/14
A3	ECN-141115	Change Cable Type	Lucas 12/05/14	Lucas 12/05/14	Ray 12/05/14



GTC  
DOC.CENTER.ISSUE  
DEC.15.2014  
ONLY FOR  
RELEASE

8	Shrink Tube	L=20mm Color: Black	1
7	Glue	Epoxy Color: Black	
6	Cable	UL2725 1P*28AWG+3C*24AWG+Al/My+D+B(UV) OD=5.0mm, Color: Black	1 $\Delta 3$
5	PCB	FR-4 Color: —	1
4	Gasket	Silicone Color: Black	1
3	Hex Nut	Thermoplastic Color: Black	1
2	Housing	Thermoplastic Color: Black	1
1	Mini USB-B Receptacle	Housing: Thermoplastic Color: Black Contacts: Copper Alloy Finish: Au Plated Shell: Copper Alloy Finish: Ni Plated	1
Item	Part Name	Material / Finish	Qty



$\Delta 3$  Wiring Diagram

GT114200-03-02	2000 mm	±100
GT114200-03-01	1000 mm	±50
GT114200-03-Z9	900 mm	±40
GT114200-03-Z8	800 mm	±40
GT114200-03-Z7	700 mm	±40
GT114200-03-Z6	600 mm	±40
GT114200-03-Z5	500 mm	±40
GT114200-03-Z4	400 mm	±20
GT114200-03-Z3	300 mm	±20
GT114200-03-Z2	200 mm	±10
GT114200-03-Z1	100 mm	±10
Part No.	Cable Length	Tol.

GT Contact CO.,LTD

NOTICE OF PROPRIETARY PROPERTY:

THE INFORMATION CONTAINED HEREIN IS THE PROPRIETARY PROPERTY OF GT Contact CO.,LTD THE POSSESSOR AGREES TO THE FOLLOWING:  
 (a) TO MAINTAIN THIS DOCUMENT IN CONFIDENCE  
 (b) NOT TO REPRODUCE OR COPY IT  
 (c) NOT TO REVEAL OR PUBLISH IT IN WHOLE OR PART  
 (d) ALL RIGHTS RESERVED

TITLE						DRAWING NUMBER			REV.	
Mini USB-B Plastic C2 Panel Jack Lock With Cable						GT114200-03-XX			A3	
	B	1:1	Vicky 11/17/10	Lucas 11/17/10	Ray 11/17/10	X.X ± 0.5 X.XX ± 0.2	X.XXX ± 0.05 ANGLES ± 1°	mm	1/1	
THIRD ANGLE PROJECTION	SIZE	SCALE	DRAW / DATE	CHECK / DATE	APPROVE / DATE	TOLERANCES		UNIT	SHEET	