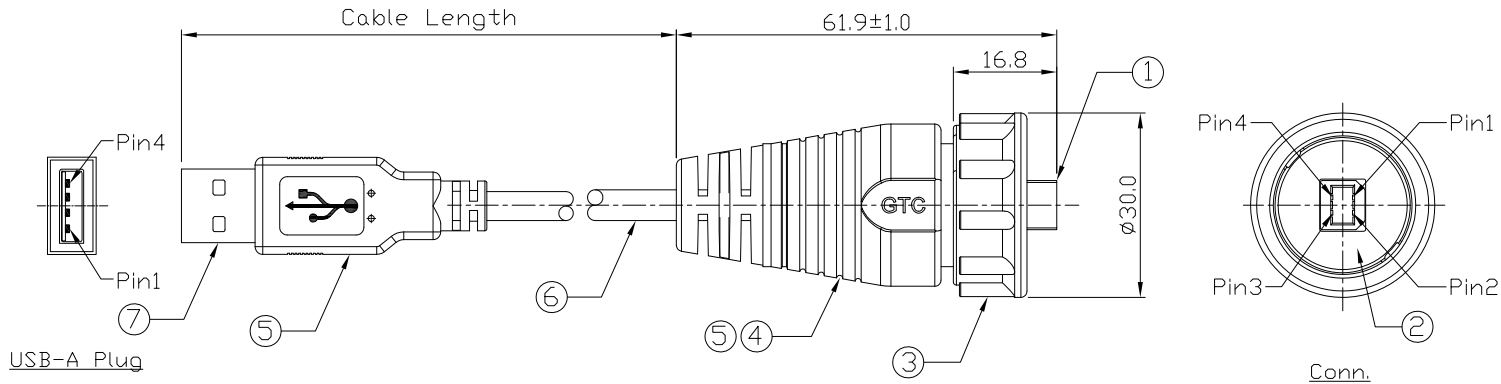


Notes: (Unless Otherwise Specified)

1. Waterproof Rate: IP67.
2. RoHS Compliant.

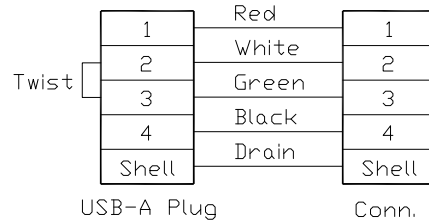
REV	ECN#	DESCRIPTION OF REVISION	DRAW BY DATE	CHECK BY DATE	APPROVE BY DATE
A0		Mass Production	Lucas 09/02/09	Ray 09/02/09	Ray 09/02/09
A1	ECN-100416	Modified Design	Lucas 04/20/10	Ray 04/20/10	Ray 04/20/10



GTC
DOC.CENTER.ISSUE
APR.26.2010
ONLY FOR
RELEASE

Part No.	Cable Length	Tol.
GT112220-05-10	10000 mm	±500
GT112220-05-09	9000 mm	±450
GT112220-05-08	8000 mm	±400
GT112220-05-07	7000 mm	±150
GT112220-05-06	6000 mm	±150
GT112220-05-05	5000 mm	±150
GT112220-05-04	4000 mm	±150
GT112220-05-03	3000 mm	±150
GT112220-05-02	2000 mm	±100
GT112220-05-01	1000 mm	±50
GT112220-05-29	900 mm	±40
GT112220-05-28	800 mm	±40
GT112220-05-27	700 mm	±40
GT112220-05-26	600 mm	±40
GT112220-05-25	500 mm	±40
GT112220-05-24	400 mm	±20
GT112220-05-23	300 mm	±20
GT112220-05-22	200 mm	±10

7	USB-A Plug	Housing: Thermoplastic, Color: Black Contacts: Copper Alloy, Finish: Au Plated Shell: Cold Roll Steel, Finish: Ni Plated	1
6	Cable	UL2725 1P*28AWG+2C*24AWG+AL/My+D+B Color: Black, OD=5.0mm	1
5	Over Mold	PVC Color: Black	2
4	Inner Mold	Thermoplastic Color: Black	2
3	Lock Nut	Thermoplastic Color: Black	1
2	Rubber Pad	Silicone Color: Black	1
1	USB-B Plug	Housing: Thermoplastic, Color: Black Contacts: Copper Alloy, Finish: Au Plated Shell: Cold Roll Steel, Finish: Ni Plated	1
Item	Part Name	Material / Finish	Q'ty



Wiring Diagram

TITLE						DRAWING NUMBER			REV.	
USB-B Plastic C4 Cable End Plug Lock with USB-A Plug						GT112220-05-XX			A1	
THIRD ANGLE PROJECTION	SIZE	SCALE	DRAW / DATE	CHECK / DATE	APPROVE / DATE	TOLERANCES		UNIT	SHEET	
	B	1:1	Lucas 09/02/09	Ray 09/02/09	Ray 09/02/09	X.X ± 0.5 X.XX ± 0.2	X.XXX ± 0.05 ANGLES ± 1°	mm	1/1	

GT Contact CO.,LTD

NOTICE OF PROPRIETARY PROPERTY:

THE INFORMATION CONTAINED HEREIN IS THE PROPRIETARY PROPERTY OF GT Contact CO.,LTD THE POSSESSOR AGREES TO THE FOLLOWING:

(a) TO MAINTAIN THIS DOCUMENT IN CONFIDENCE

(b) NOT TO REPRODUCE OR COPY IT

(c) NOT TO REVEAL OR PUBLISH IT IN WHOLE OR PART

(d) ALL RIGHTS RESERVED