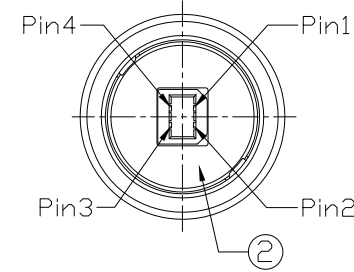
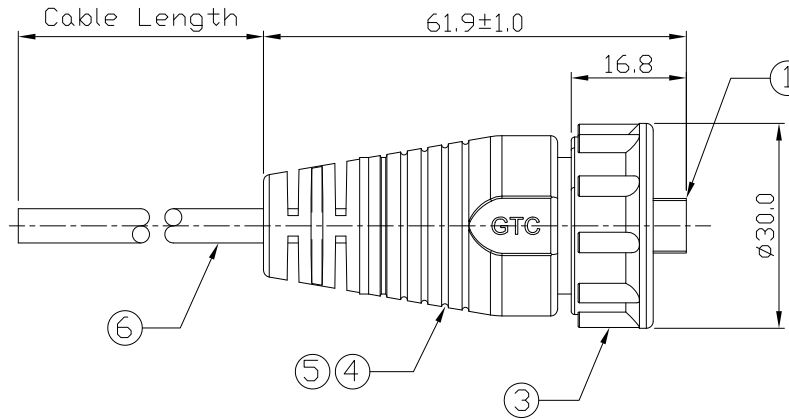
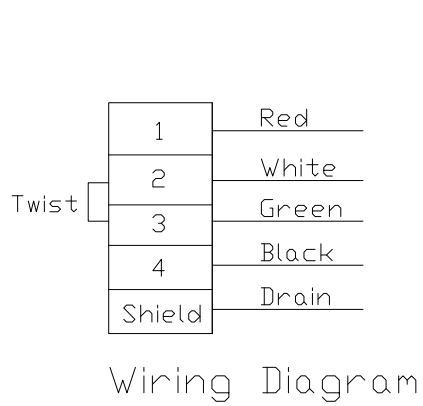


Notes: (Unless Otherwise Specified)

1. Waterproof Rate: IP67.
2. RoHS Compliant

REV	ECN#	DESCRIPTION OF REVISION	DRAW BY DATE	CHECK BY DATE	APPROVE BY DATE
A0		Mass Production	Lucas 02/10/10	Ray 02/10/10	Ray 02/10/10
A1	ECN-100416	Modified Design	Lucas 04/20/10	Ray 04/20/10	Ray 04/20/10



GTC  
DOC.CENTER.ISSUE  
APR.26.2010  
ONLY FOR  
RELEASE

GT112220-01-10	10000 mm	±500
GT112220-01-09	9000 mm	±450
GT112220-01-08	8000 mm	±400
GT112220-01-07	7000 mm	±150
GT112220-01-06	6000 mm	±150
GT112220-01-05	5000 mm	±150
GT112220-01-04	4000 mm	±150
GT112220-01-03	3000 mm	±150
GT112220-01-02	2000 mm	±100
GT112220-01-01	1000 mm	±50
GT112220-01-Z9	900 mm	±40
GT112220-01-Z8	800 mm	±40
GT112220-01-Z7	700 mm	±40
GT112220-01-Z6	600 mm	±40
GT112220-01-Z5	500 mm	±40
GT112220-01-Z4	400 mm	±20
GT112220-01-Z3	300 mm	±20
GT112220-01-Z2	200 mm	±10
Part No.	Cable Length	Tol.

6	Cable	UL2725 1P*28AWG+2C*24AWG+Al/My+D+B OD=5.0mm, Color: Black	1
5	Over Mold	PVC Color: Black	1
4	Inner Mold	Thermoplastic Color: Black	2
3	Lock Nut	Thermoplastic Color: Black	1
2	Rubber Pad	Silicone Color: Black	1
1	USB-B Plug	Housing: Thermoplastic, Color: Black Contacts: Copper Alloy, Finish: Au Plated Shell: Cold Roll Steel, Finish: Ni Plated	1
Item	Part Name	Material / Finish	QTY

TITLE						DRAWING NUMBER			REV.	
USB-B Plastic C4 Cable End Plug Lock						GT112220-01-XX			A1	
	B	1:1	Lucas 02/10/10	Ray 02/10/10	Ray 02/10/10	X.X X.XX	± 0.5 ± 0.2	X.XXX ANGLES	± 0.05 ± 1°	mm 1/1
THIRD ANGLE PROJECTION	SIZE	SCALE	DRAW / DATE	CHECK / DATE	APPROVE / DATE	TOLERANCES		UNIT	SHEET	

GT Contact CO.,LTD

NOTICE OF PROPRIETARY PROPERTY:  
THE INFORMATION CONTAINED HEREIN IS THE PROPRIETARY PROPERTY OF GT Contact CO.,LTD THE POSSESSOR AGREES TO THE FOLLOWING:  
(i) TO MAINTAIN THIS DOCUMENT IN CONFIDENCE  
(ii) NOT TO REPRODUCE OR COPY IT  
(iii) NOT TO REVEAL OR PUBLISH IT IN WHOLE OR PART  
(iv) ALL RIGHTS RESERVED