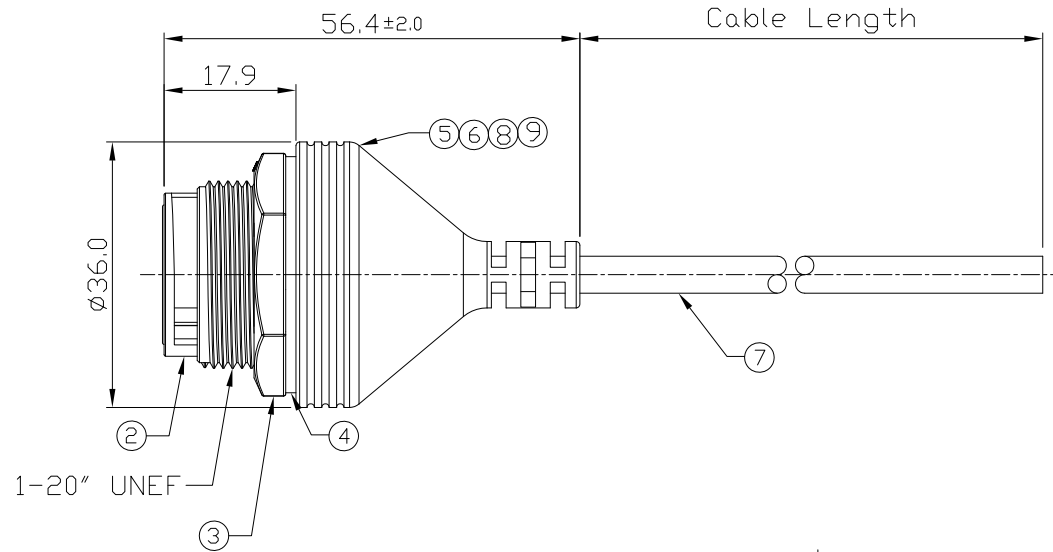
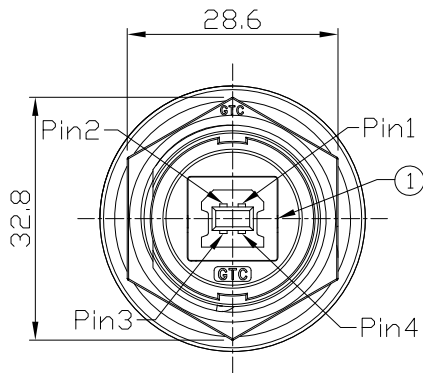


Notes: (Unless Otherwise Specified)

1. Waterproof Rate: IP67.
2. Recommend Panel Thickness: 0.8 to 5.0 mm.
3. Recommend Torque: 19~20 Kgf-cm.
4. Mating Cap P/N: GT1C1110X2.
5. RoHS Compliant.

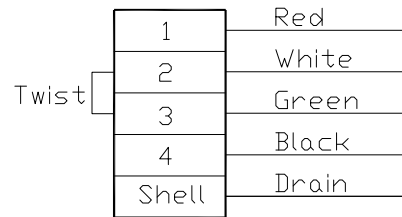
REV	ECN#	DESCRIPTION OF REVISION	DRAW BY DATE	CHECK BY DATE	APPROVE BY DATE
A0		Mass Production	Joyce 05/06/13	Lucas 05/06/13	Ray 05/06/13

GTC
DOC.CENTER.ISSUE
MAY.07.2013
ONLY FOR
RELEASE

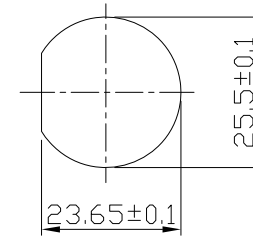


GT112210-01-10	10000 mm	±500
GT112210-01-09	9000 mm	±450
GT112210-01-08	8000 mm	±400
GT112210-01-07	7000 mm	±350
GT112210-01-06	6000 mm	±300
GT112210-01-05	5000 mm	±250
GT112210-01-04	4000 mm	±200
GT112210-01-03	3000 mm	±150
GT112210-01-02	2000 mm	±100
GT112210-01-01	1000 mm	±50
GT112210-01-29	900 mm	±40
GT112210-01-28	800 mm	±40
GT112210-01-27	700 mm	±40
GT112210-01-26	600 mm	±40
GT112210-01-25	500 mm	±40
GT112210-01-24	400 mm	±20
GT112210-01-23	300 mm	±10
GT112210-01-22	200 mm	±10
Part No.	Cable Length	Tol.

9	Over Mold	PVC Color: Black	1
8	Inner Mold	Thermoplastic Color: White or Black	1
7	Cable	UL2725 1P*28AWG+20*24AWG+Al/My+D+B OD=5.0mm, Color: Black	1
6	Glue	Epoxy Color: Black	
5	PCB	FR-4 Color: Green	1
4	Gasket	Silicone Color: Black	1
3	Hex Nut	Thermoplastic Color: Black	1
2	Housing	Thermoplastic Color: Black	1
1	USB-B Receptacle	Housing: Thermoplastic, Color: Black Contacts: Copper Alloy, Finish: Au Plated Shell: Copper Alloy, Finish: Ni Plated	1
Item	Part Name	Material / Finish	QTY



Wiring Diagram



Recommend
Panel Cut-Out

TITLE						DRAWING NUMBER			REV.	
USB-B Plastic C4 Cable To Cable Lock With Cable						GT112210-01-XX			A0	
	B	1:1	Joyce 05/06/13	Lucas 05/06/13	Ray 05/06/13	X.X ± 0.5 X.XX ± 0.2	X.XXX ± 0.05 ANGLES ± 1°	mm	1/1	
THIRD ANGLE PROJECTION	SIZE	SCALE	DRAW / DATE	CHECK / DATE	APPROVE / DATE	TOLERANCES		UNIT	SHEET	

GT Contact CO.,LTD

NOTICE OF PROPRIETARY PROPERTY:
THE INFORMATION CONTAINED HEREIN IS THE PROPRIETARY PROPERTY OF GT Contact CO.,LTD THE POSSESSOR AGREES TO THE FOLLOWING:
(a) TO MAINTAIN THIS DOCUMENT IN CONFIDENCE
(b) NOT TO REPRODUCE OR COPY IT
(c) NOT TO REVEAL OR PUBLISH IT IN WHOLE OR PART
(d) ALL RIGHTS RESERVED