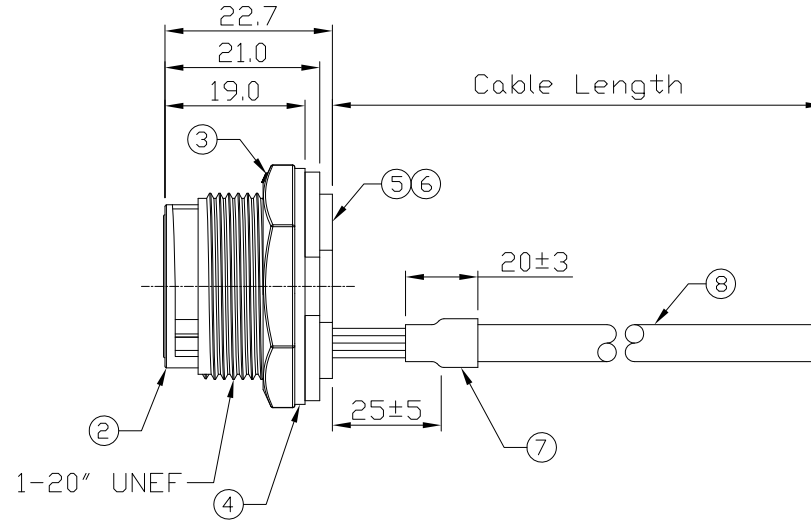
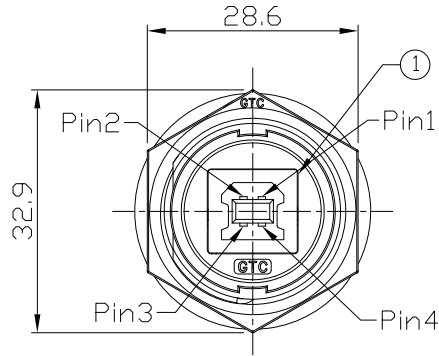


Notes: (Unless Otherwise Specified)

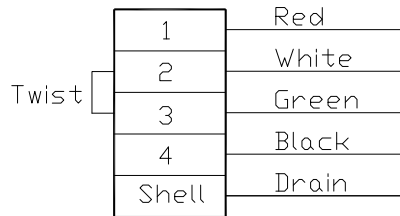
1. Waterproof Rate: IP67.
2. Recommend Panel Thickness: 0.8 to 6.0 mm.
3. Recommend Torque: 19~20 Kgf-cm.
4. Mating Cap P/N: GT1C1110X2..
5. RoHS Compliant.

REV	ECN#	DESCRIPTION OF REVISION	DRAW BY DATE	CHECK BY DATE	APPROVE BY DATE
A0	ECN-130403	Mass Production	Joyce 04/02/13	Lucas 04/02/13	Ray 04/02/13

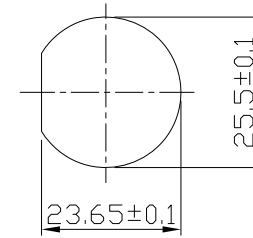
GTC  
DOC.CENTER.ISSUE  
APR.11.2013  
ONLY FOR  
RELEASE



8	Cable	UL2725 1P*28AWG+2C*24AWG+Al/My+D+B OD=5.0mm, Color: Black	1
7	Shrink Tube	L=20mm Color: Black	1
6	Glue	Epoxy Color: Black	
5	PCB	FR-4 Color: —	1
4	Gasket	Silicone Color: Black	1
3	Hex Nut	Thermoplastic Color: Black	1
2	Housing	Thermoplastic Color: Black	1
1	USB-B Receptacle	Housing: Thermoplastic, Color: Black Contacts: Copper Alloy, Finish: Au Plated Shell: Copper Alloy, Finish: Ni Plated	1
Item	Part Name	Material / Finish	QTY



Wiring Diagram



Recommend  
Panel Cut-Out

GT112200-03-01	1000 mm	±40
GT112200-03-Z9	900 mm	±20
GT112200-03-Z8	800 mm	±20
GT112200-03-Z7	500 mm	±20
GT112200-03-Z6	500 mm	±20
GT112200-03-Z5	500 mm	±20
GT112200-03-Z4	400 mm	±10
GT112200-03-Z3	300 mm	±10
GT112200-03-Z2	200 mm	±10
GT112200-03-Z1	100 mm	±10
Part No.	Cable Length	Tol.

GT Contact CO.,LTD

NOTICE OF PROPRIETARY PROPERTY:

THE INFORMATION CONTAINED HEREIN IS THE PROPRIETARY PROPERTY OF GT CONTACT CO.,LTD THE POSSESSOR AGREES TO THE FOLLOWING:  
 (a) TO MAINTAIN THIS DOCUMENT IN CONFIDENCE  
 (b) NOT TO REPRODUCE OR COPY IT  
 (c) NOT TO REVEAL OR PUBLISH IT IN WHOLE OR PART  
 (d) ALL RIGHTS RESERVED

TITLE						DRAWING NUMBER			REV.	
USB-B Plastic C4 Panel Jack Lock With Cable						GT112200-03-XX			A0	
	B	1:1	Joyce 02/03/12	Lucas 02/03/12	Ray 02/03/12	X.X ± 0.5 X.XX ± 0.2	X.XXX ± 0.05 ANGLES ± 1°	mm	1/1	
THIRD ANGLE PROJECTION	SIZE	SCALE	DRAW / DATE	CHECK / DATE	APPROVE / DATE	TOLERANCES		UNIT	SHEET	