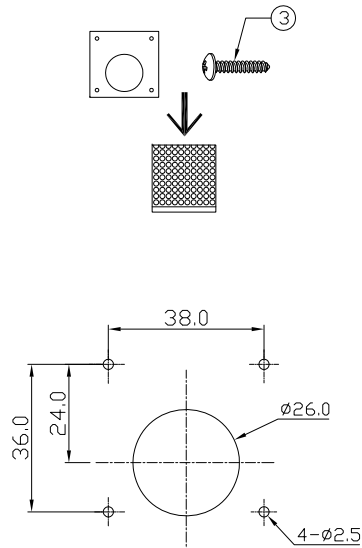


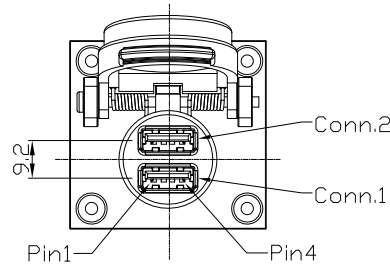
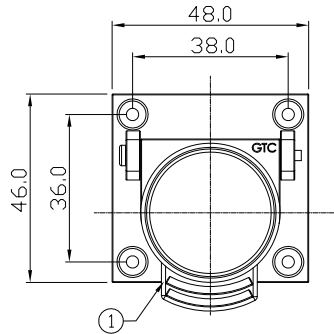
Notes: (Unless Otherwise Specified)

1. Waterproof Rate: Unmated IP67
2. Recommend Panel Thickness: 0.8 to 3.0 mm.
3. RoHS Compliant.
4. 螺絲與灰紙板單獨用汽泡袋包裝.

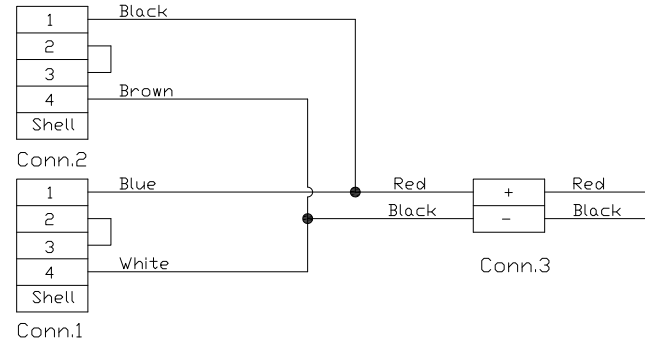
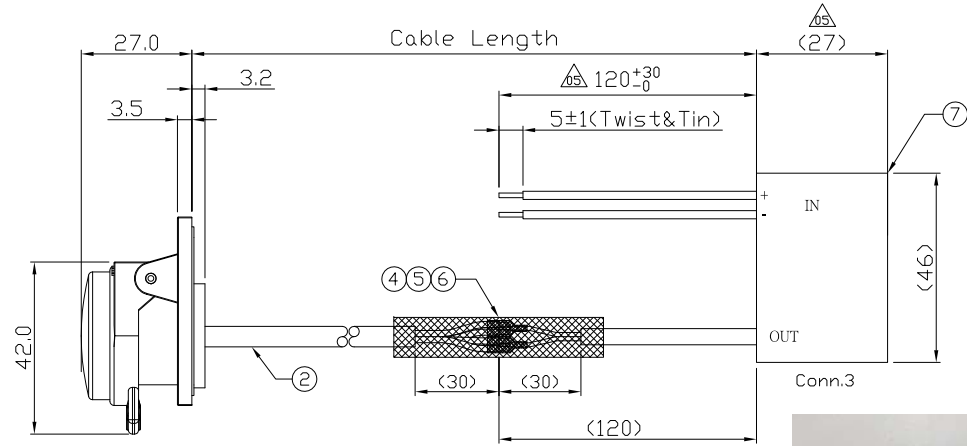
REV	ECN#	DESCRIPTION OF REVISION	DRAW BY DATE	CHECK BY DATE	APPROVE BY DATE
05	ECN-200407	1. Marked Modify Dimensions 32mm --> 27mm 2. Marked Modify Dimensions 120mm+20/-0 --> 120mm +30/-0	Hank 04/09/20	Lucas 04/09/20	Ray 04/09/20



Recommend Panel Cut-Out Scale 1:1



GTC
DOC.CENTER.ISSUE
APR.09.2020
ONLY FOR RELEASE



Wiring Diagram

Item	Part Name	Material / Finish	Q'ty
7	1 Phone & Android DC-DC Converter	MSCD20 Color: Black	1
6	Shrink Tube	L=20mm Color: Black	2
5	Shrink Tube	L=80mm Color: Clear	1
4	Glue	Silicone Color: Black	
3	Screw	Stainless(TPI) Finish:-	4
2	Cable	UL2464 4C*20AWG+Al/My+D Color: Black, DD=5.5mm	1
1	USB-A C4 Panel Square Flange Dual-USB JACK With Dust Cover	Thermoplastic Color: Black	1

Part No.	Cable Length	Tol.
GT111443-0V-05	5000 mm	+150
GT111443-0V-04	4000 mm	+150
GT111443-0V-03	3000 mm	+150
GT111443-0V-02	2000 mm	+100

GT Contact CO.,LTD

NOTICE OF PROPRIETARY PROPERTY:
THE INFORMATION CONTAINED HEREIN IS THE PROPRIETARY PROPERTY OF GT CONTACT CO.,LTD THE POSSESSOR AGREES TO THE FOLLOWING:
(1) TO MAINTAIN THIS DOCUMENT IN CONFIDENCE
(2) NOT TO REPRODUCE OR COPY IT
(3) NOT TO REVEAL OR PUBLISH IT IN WHOLE OR PART
(4) ALL RIGHTS RESERVED

TITLE						DRAWING NUMBER			REV.
USB-A C4 Panel Square Flange Dual-USB JACK With Cable + Cap + DC Converter						GT111443-0V-XX			05
THIRD ANGLE PROJECTION	SIZE	SCALE	DRAW / DATE	CHECK / DATE	APPROVE / DATE	TOLERANCES		SHEET	
	B	1:1	Lucas 03/21/16	Lucas 03/21/16	Ray 03/21/16	X.X ± 0.5 X.XX ± 0.2	X.XXX ± 0.05 ANGLES ± 1°	mm 1/1	