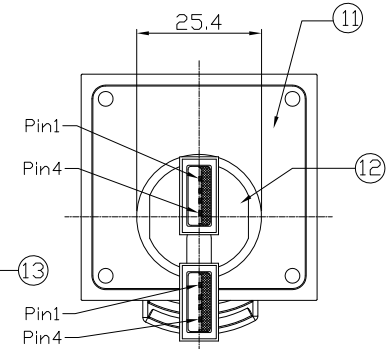
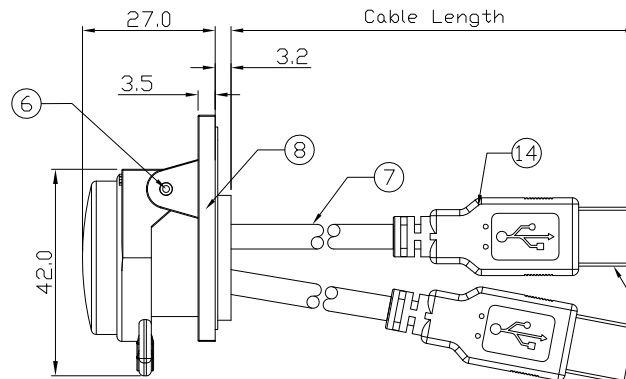
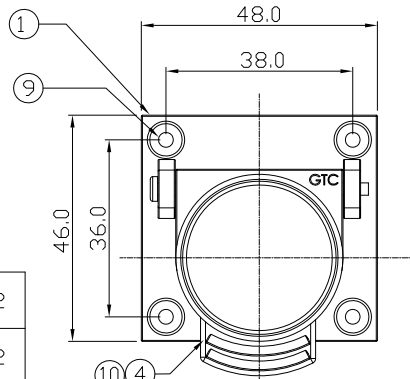
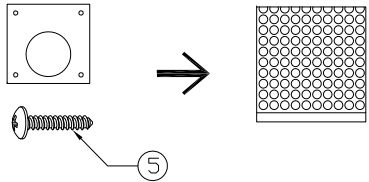


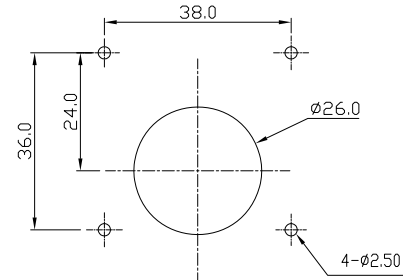
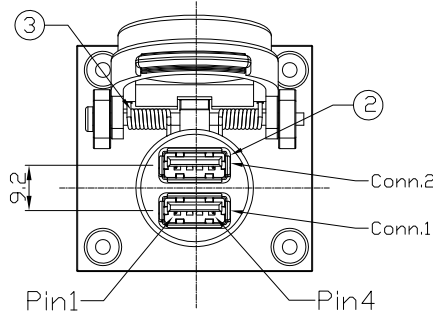
Notes: (Unless Otherwise Specified)

- 1. Waterproof Rate: Unmated IP67 Δ
- 2. Recommend Panel Thickness: 0.8 to 3.0 mm.
- 3. RoHS Compliant.
- 4. 螺絲與灰紙板單獨用汽泡袋包裝.

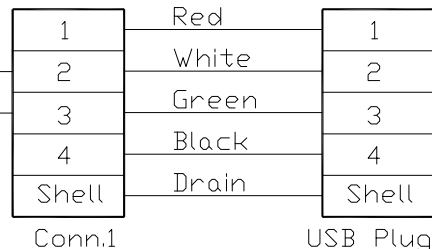
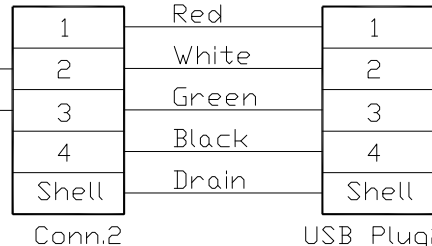


GTC
DOC.CENTER.ISSUE
JUL.02.2018
ONLY FOR
RELEASE

14	Over Mold	PVC Color: Black	2
13	USB-A Plug	Housing: Thermoplastic, Color: Black Contacts: Copper Alloy, Finish: Au Plated Shell: Cold Roll Steel, Finish: Ni Plated	2
12	Glue	Epoxy Color: Black	
11	Gasket	Silicone Color: Black	1
10	Cap Rubber Pad	Silicone Color: Black	1
9	Screw Gasket	EPDM Color: Black	4
8	PCB	FR-4 Color: Green	1
7	Cable	UL2725 24AWG*1P+24AWG*2C+Al/My+D+B Color: Black, DD=5.0mm	2
6	Rivet	Aluminum Finish:-	1
5	Screw	Stainless(TP1) Finish:-	4
4	Dust Cover	Thermoplastic Color: Black	1
3	Spring	Stainless Finish:-	1
2	USB-A Receptacle	Housing: Thermoplastic, Color: Black Contacts: Copper Alloy, Finish: Au Plated Shell: Copper Alloy, Finish: Ni Plated	2
1	Housing	Thermoplastic Color: Black	1
Item	Part Name	Material / Finish	Q'ty



Recommend
Panel Cut-Out
Scale 1:1



Wiring Diagram

GT111443-05-03	3000 mm	+100
GT111443-05-02	2000 mm	+100
GT111443-05-01	1000 mm	+50
GT111443-05-Z9	900 mm	+50
GT111443-05-Z8	800 mm	+50
GT111443-05-Z7	700 mm	+50
GT111443-05-Z6	600 mm	+50
GT111443-05-Z5	500 mm	+50
GT111443-05-Z4	400 mm	+50
GT111443-05-Z3	300 mm	+25
GT111443-05-Z2	200 mm	+25
GT111443-05-Z1	100 mm	+25
Part No.	Cable Length	Tol.

GT Contact CO.,LTD

NOTICE OF PROPRIETARY PROPERTY:
THE INFORMATION CONTAINED HEREIN IS THE PROPRIETARY PROPERTY OF GT CONTACT CO.,LTD THE POSSESSOR AGREES TO THE FOLLOWING:
(A) TO MAINTAIN THIS DOCUMENT IN CONFIDENCE
(B) NOT TO REPRODUCE OR COPY IT
(C) NOT TO REVEAL OR PUBLISH IT IN WHOLE OR PART
(D) ALL RIGHTS RESERVED

REV	ECN#	DESCRIPTION OF REVISION	DRAW BY DATE	CHECK BY DATE	APPROVE BY DATE
02	ECN-180701	Change Item 4 : Cap => Dust Cover ; Modify Waterproof Rate Δ	Whitney 07/02/18	Lucas 07/02/18	Ray 07/02/18

TITLE USB-A C4 Panel Square Flange Dual-USB JACK With USB-A Plug + Cap						DRAWING NUMBER GT111443-05-XX			REV. 02	
	B	1:1	Viola 01/25/18	Lucas 01/25/18	Ray 01/25/18	X.X X.XX	± 0.5 ± 0.2	X.XXX ANGLES	± 0.05 $\pm 1^\circ$	mm 1/1
THIRD ANGLE PROJECTION	SIZE	SCALE	DRAW / DATE	CHECK / DATE	APPROVE / DATE	TOLERANCES		UNIT	SHEET	