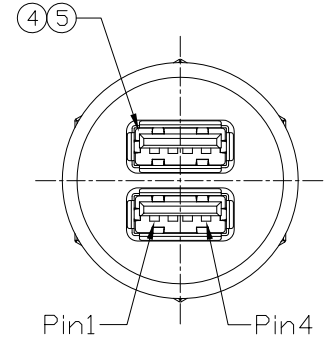
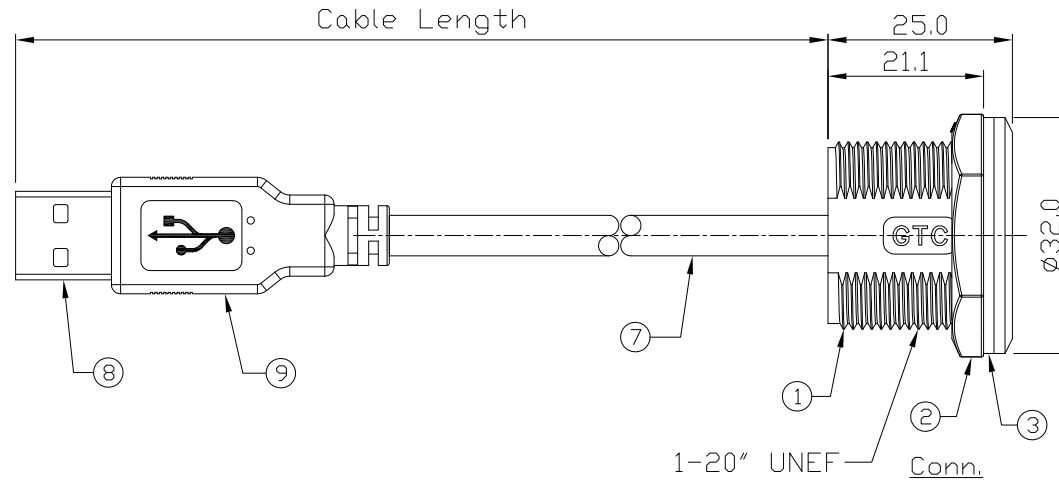
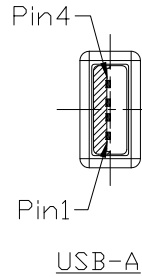
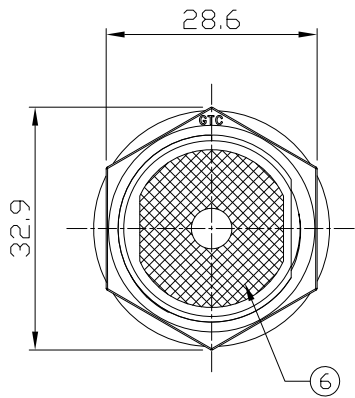


Notes: (Unless Otherwise Specified)

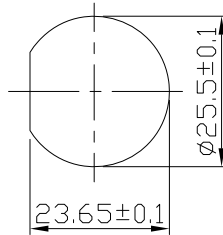
1. Waterproof Rate: IP67.
2. Recommend Panel Thickness: 0.8 to 12.0 mm.
3. Recommend Torque: 19~20 Kgf-cm.
4. RoHS Compliant.

| REV | ECN# | DESCRIPTION OF REVISION | DRAW BY DATE | CHECK BY DATE | APPROVE BY DATE |
|-----|------|-------------------------|-------------------|-------------------|-----------------|
| A0 | | | Lucas 05/21/20 | Lucas 05/21/20 | Ray 05/21/20 |

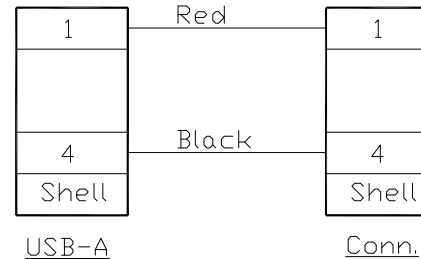


GTC
DOC.CENTER.ISSUE
MAY.21.2020
ONLY FOR
RELEASE

| Item | Part Name | Material / Finish | QTY |
|------|------------------|--------------------------------------------------------------------------------------------------------------------------------|-----|
| 9 | Over Mold | PVC Color: Black | 1 |
| 8 | USB-A Plug | Housing: Thermoplastic, Color: Black Contacts: Copper Alloy, Finish: Au Plated Shell: Cold Roll Steel, Finish: Ni Plated | 1 |
| 7 | Cable | UL2464 2C*22AWG+Al/My+D, DD=5.0mm Color: Black | 1 |
| 6 | Glue | Epoxy Color: Black | 1 |
| 5 | PCB | FR-4 Color: — | 1 |
| 4 | USB-A Receptacle | Housing: Thermoplastic, Color: Black Contacts: Copper Alloy, Finish: Au Plated Shell: Copper Alloy, Finish: Ni Plated | 2 |
| 3 | Gasket | Silicone Color: Black | 1 |
| 2 | Hex Nut | Thermoplastic Color: Black | 1 |
| 1 | Housing | Thermoplastic Color: Black | 1 |



Recommend
Panel Cut-Out



Wiring Diagram

| Part No. | Cable Length | Tol. |
|----------------|--------------|------|
| GT1113B2-05-10 | 10000 mm | +500 |
| GT1113B2-05-09 | 9000 mm | +450 |
| GT1113B2-05-08 | 8000 mm | +400 |
| GT1113B2-05-07 | 7000 mm | +150 |
| GT1113B2-05-06 | 6000 mm | +150 |
| GT1113B2-05-05 | 5000 mm | +150 |
| GT1113B2-05-04 | 4000 mm | +150 |
| GT1113B2-05-03 | 3000 mm | +100 |
| GT1113B2-05-02 | 2000 mm | +100 |
| GT1113B2-05-01 | 1000 mm | +50 |
| GT1113B2-05-Z9 | 900 mm | +50 |
| GT1113B2-05-Z8 | 800 mm | +50 |
| GT1113B2-05-Z7 | 700 mm | +50 |
| GT1113B2-05-Z6 | 600 mm | +50 |
| GT1113B2-05-Z5 | 500 mm | +50 |
| GT1113B2-05-Z4 | 400 mm | +50 |
| GT1113B2-05-Z3 | 300 mm | +25 |
| GT1113B2-05-Z2 | 200 mm | +25 |
| GT1113B2-05-Z1 | 100 mm | +25 |

GT Contact CO.,LTD

NOTICE OF PROPRIETARY PROPERTY:

THE INFORMATION CONTAINED HEREIN IS THE PROPRIETARY PROPERTY OF GT Contact CO.,LTD THE POSSESSOR AGREES TO THE FOLLOWING:
 (a) TO MAINTAIN THIS DOCUMENT IN CONFIDENCE
 (b) NOT TO REPRODUCE OR COPY IT
 (c) NOT TO REVEAL OR PUBLISH IT IN WHOLE OR PART
 (d) ALL RIGHTS RESERVED

| TITLE | | | | | | DRAWING NUMBER | | | REV. |
|-------------------------------------------------------------|------|-------|----------------|----------------|----------------|-------------------------|-----------------------------|-----------|------|
| Dual USB-A Plastic C4 Panel Rear Mount Jack With USB-A Plug | | | | | | GT1113B2-05-XX | | | A0 |
| THIRD ANGLE PROJECTION | SIZE | SCALE | DRAW / DATE | CHECK / DATE | APPROVE / DATE | TOLERANCES | | SHEET | |
| | B | 1:1 | Lucas 05/21/20 | Lucas 05/21/20 | Ray 05/21/20 | X.X ± 0.5 X.XX ± 0.2 | X.XXX ± 0.05 ANGLES ± 1° | mm 1/1 | |