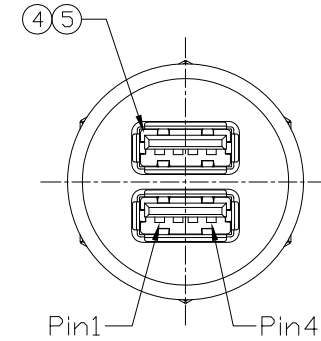
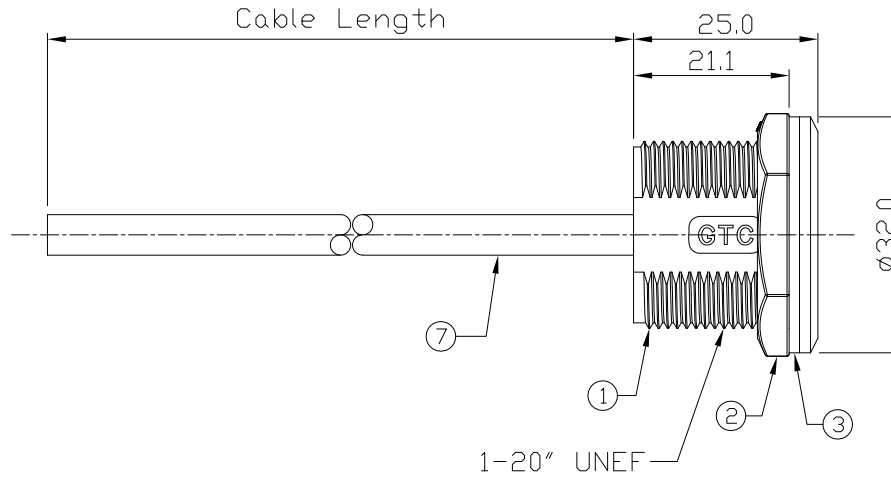
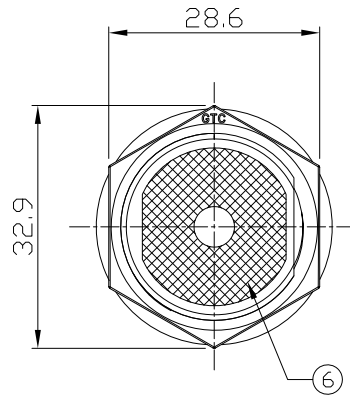


Notes: (Unless Otherwise Specified)

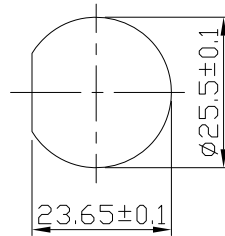
1. Waterproof Rate: IP67.
2. Recommend Panel Thickness: 0.8 to 12.0 mm.
3. Recommend Torque: 19~20 Kgf-cm.
4. RoHS Compliant.

REV	ECN#	DESCRIPTION OF REVISION	DRAW BY DATE	CHECK BY DATE	APPROVE BY DATE
A0	ECN-200311	UL2725=>UL2464 2C*22AWG	Lucas 03/17/20	Lucas 03/17/20	Ray 03/17/20

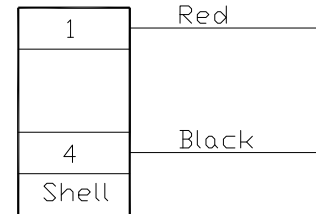


GTC  
DOC.CENTER.ISSUE  
MAR.17.2020  
ONLY FOR  
RELEASE

Item	Part Name	Material / Finish	QTY
7	Cable	UL2464 2C*22AWG+Al/My+D, DD=5.0mm Color: Black	1
6	Glue	Epoxy Color: Black	1
5	PCB	FR-4 Color: _____	1
4	USB-A Receptacle	Housing: Thermoplastic, Color: Black Contacts: Copper Alloy, Finish: Au Plated Shell: Copper Alloy, Finish: Ni Plated	2
3	Gasket	Silicone Color: Black	1
2	Hex Nut	Thermoplastic Color: Black	1
1	Housing	Thermoplastic Color: Black	1



Recommend  
Panel Cut-Out



Wiring Diagram

Part No.	Cable Length	Tol.
GT1113B2-03-02	2000 mm	+100
GT1113B2-03-01	1000 mm	+50
GT1113B2-03-Z9	900 mm	+50
GT1113B2-03-Z8	800 mm	+50
GT1113B2-03-Z7	700 mm	+50
GT1113B2-03-Z6	600 mm	+50
GT1113B2-03-Z5	500 mm	+50
GT1113B2-03-Z4	400 mm	+50
GT1113B2-03-Z3	300 mm	+25
GT1113B2-03-Z2	200 mm	+25
GT1113B2-03-Z1	100 mm	+25

TITLE						DRAWING NUMBER			REV.
Dual USB-A Plastic C4 Panel Rear Mount Jack With Cable						GT1113B2-03-XX			A0
THIRD ANGLE PROJECTION	SIZE	SCALE	DRAW / DATE	CHECK / DATE	APPROVE / DATE	TOLERANCES		SHEET	
	B	1:1	Lucas 03/06/20	Lucas 03/06/20	Ray 03/06/20	X.X ± 0.5 X.XX ± 0.2	X.XXX ± 0.05 ANGLES ± 1°	mm 1/1	

GT Contact CO.,LTD

NOTICE OF PROPRIETARY PROPERTY:  
THE INFORMATION CONTAINED HEREIN IS THE PROPRIETARY PROPERTY OF GT Contact CO.,LTD THE POSSESSOR AGREES TO THE FOLLOWING:  
(a) TO MAINTAIN THIS DOCUMENT IN CONFIDENCE  
(b) NOT TO REPRODUCE OR COPY IT  
(c) NOT TO REVEAL OR PUBLISH IT IN WHOLE OR PART  
(d) ALL RIGHTS RESERVED