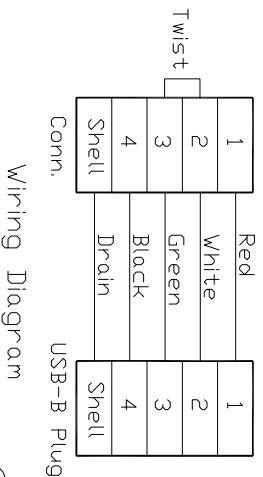


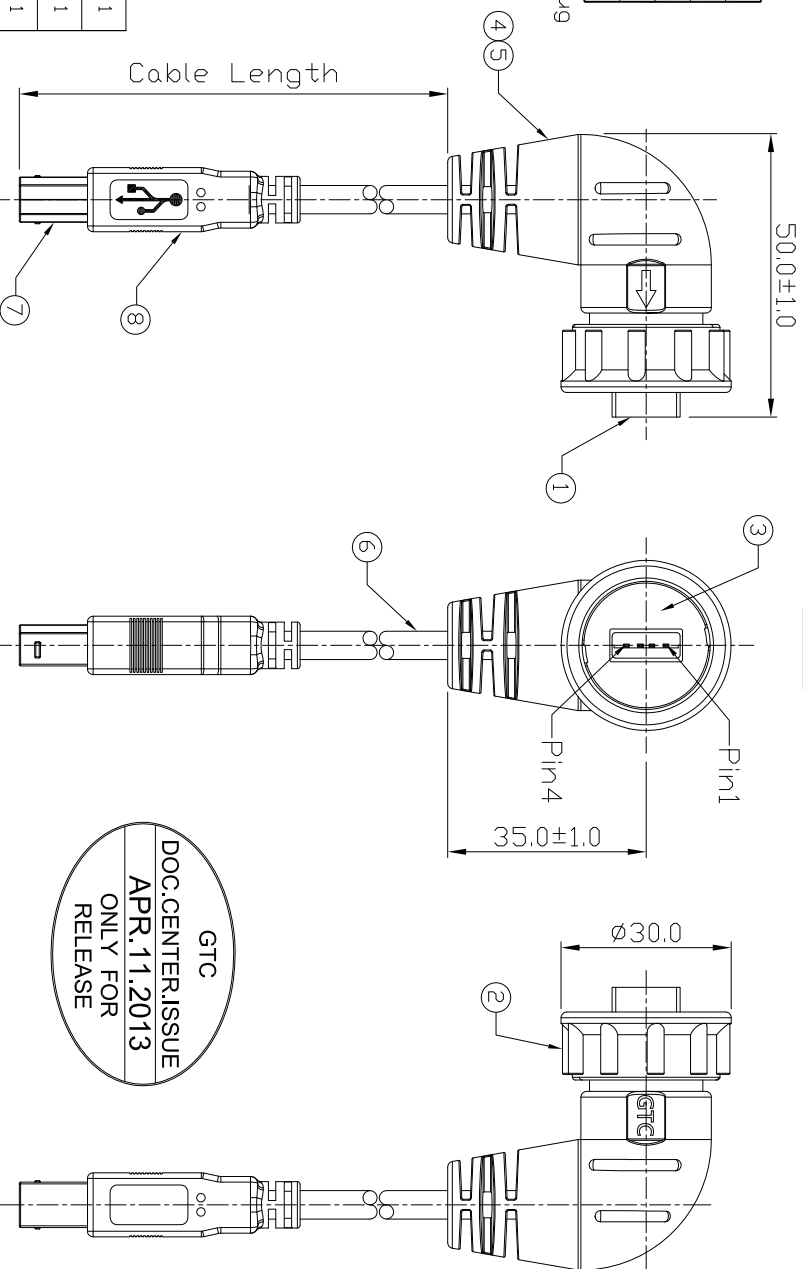
Notes: (Unless Otherwise Specified)
 1. Waterproof Rate: IP67.
 2. RoHS Compliant.



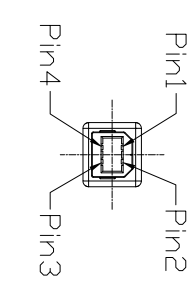
1	Red	1
2	White	2
3	Green	3
4	Black	4
Shell	Drain	Shell

Conn. USB-B Plug

REV	ECN#	DESCRIPTION OF REVISION	DRAW BY DATE	CHECK BY DATE	APPROVE BY DATE
A0	ECN-130403	Mass Production	Joyce 04/02/13	Lucas 04/02/13	Roy 04/02/13



8	Diver Mold	PVC	Color: Black	1
7	USB-B Plug	Housing: Thermoplastic; Color: Black; Contacts: Copper Alloy; Finish Au Plated; Shell: Cold Roll Steel; Finish Ni Plated		1
6	Cable	UL2725 1P*28AWG*2C*24AWG*4N*4D+B	Color: Black; ID=5.0mm	1
5	Diver Mold	PVC	Color: Black	1
4	Inner Mold	Thermoplastic	Color: White Or Black	2
3	Rubber Pad	Silicone	Color: Black	1
2	Lock Nut	Thermoplastic		
1	USB-A Plug	Housing: Thermoplastic; Color: Black; Contacts: Copper Alloy; Finish Au Plated; Shell: Cold Roll Steel; Finish Ni Plated		1



GT111229-09-10	10000 mm	±450
GT111229-09-09	9000 mm	±450
GT111229-09-08	8000 mm	±400
GT111229-09-07	7000 mm	±350
GT111229-09-06	6000 mm	±300
GT111229-09-05	5000 mm	±250
GT111229-09-04	4000 mm	±200
GT111229-09-03	3000 mm	±150
GT111229-09-02	2000 mm	±100
GT111229-09-01	1000 mm	±50
GT111229-09-29	900 mm	±40
GT111229-09-28	800 mm	±40
GT111229-09-27	700 mm	±40
GT111229-09-26	600 mm	±40
GT111229-09-25	500 mm	±40
GT111229-09-24	400 mm	±20
Part No.	Cable length	Tol.

TITLE USB-A Plastic C4 Cable End 90° Plug Lock With Cable + USB-B Plug

DRAWING NUMBER GT111229-09-XX
 REV. A0

DD NOT SCALE DRAWINGS	B	N/A	David 05/25/10	Roy 05/25/10	Roy 05/25/10	XXX ± 0.2	XXXX ± 0.05	mm	1/1
THIRD ANGLE PROJECTION	SIZE	SCALE	DRAW / DATE	CHECK / DATE	APPROVE / DATE	TOLERANCES	ANGLES	UNIT	SHEET

GT Contact CD,LT,D
 NOTICE OF PROPRIETARY PROPERTY
 THE INFORMATION CONTAINED HEREIN IS THE PROPRIETARY PROPERTY OF GT Contact CO,LT,D THE POSSESSOR AGREES TO MAINTAIN THIS DOCUMENT IN CONFIDENCE AND NOT TO REPRODUCE OR PUBLISH IT IN WHOLE OR PART (C) ALL RIGHTS RESERVED

GTC
 DOC.CENTER/ISSUE
 APR.11.2013
 ONLY FOR
 RELEASE