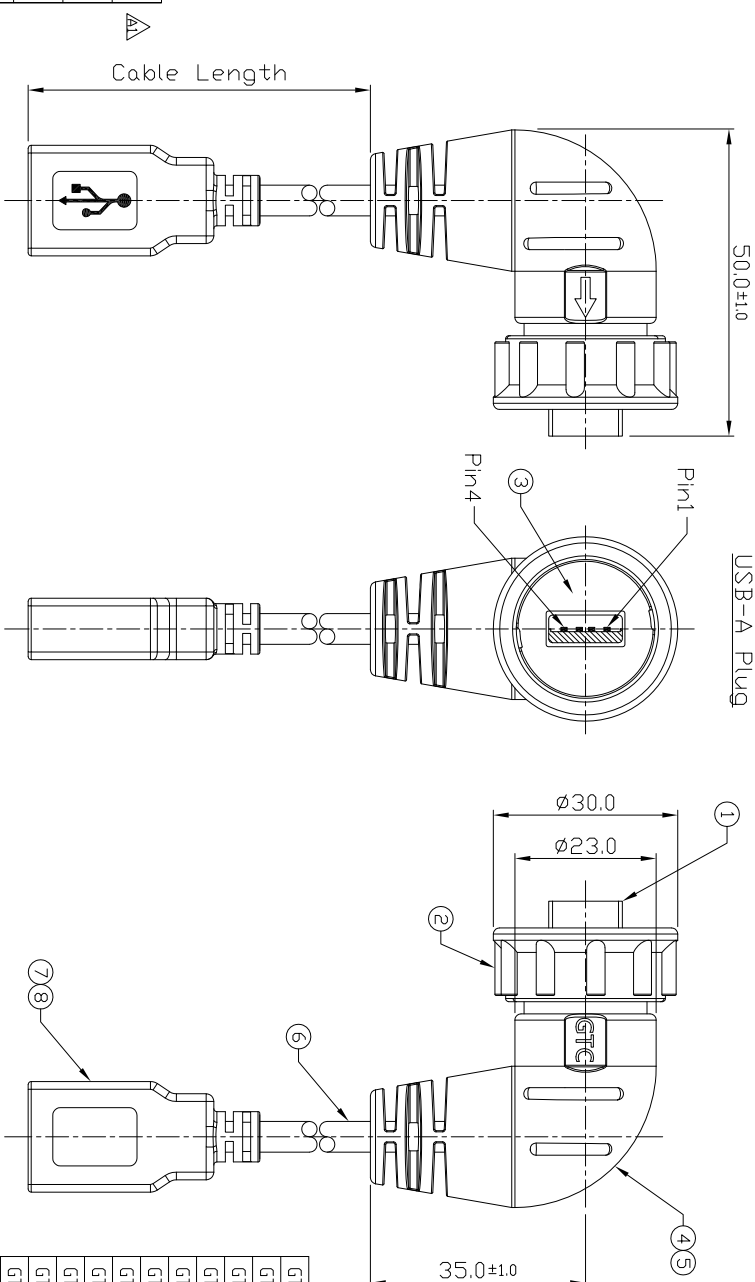


Notes: (Unless Otherwise Specified)  
 1. Waterproof Rate: IP67.  
 2. RoHS Compliant.

GTC  
 DOC.CENTER.ISSUE  
 DEC.26.2012  
 ONLY FOR  
 RELEASE

REV	ECN#	DESCRIPTION OF REVISION	DRAW BY DATE	CHECK BY DATE	APPROVE BY DATE
A0		Mass Production	Joyce 11/05/12	Lucas 11/05/12	Roy 11/05/12
A1	ECN-121117	Change USB-A Receptacle Color & Supplier	Joyce 12/17/12	Lucas 12/17/12	Roy 12/17/12



Item	Part Name	QTY
9	USB-A Jack Housing: Thermoplastic, Color: White Contacts: Copper Alloy, Finish: Gold Flash Shell: SPEC. Finish: Ni Plated	1
8	Over Mold PVC Color: Black	1
7	Inner Mold Thermoplastic Color: White	1
6	Cable UL2725 1P#28AWG+2C#24AWG+4L#14+1D#8 Color: Black, DD=5.0mm	1
5	Over Mold PVC Color: Black	1
4	Inner Mold PVC Color: Black	2
3	Rubber Pad Silicone Color: Black	1
2	Lock Nut Thermoplastic Color: Black	1
1	USB-A Plug Housing: Thermoplastic, Color: Black Contacts: Copper Alloy, Finish: Au Plated Shell: Cold Roll Steel, Finish: Ni Plated	1

USB-A Jack

Twist	1	2	3	4
Red	White	Green	Black	Drain

USB-A Plug

1	2	3	4
Shell	Drain	Shell	Shell

USB-A Jack

1	2	3	4
Shell	Drain	Shell	Shell

TITLE  
 USB-A Plastic C4 Cable End 90° Plug Lock with Cable + USB-A Jack

DRAWING NUMBER  
 GT111229-06-XX

REV.  
 A1

DD NOT SCALE DRAWINGS	B	1:1	David 06/21/10	Roy 06/21/10	Roy 06/21/10	XXX ± 0.5	XXXX ± 0.05	mm	1/1
THIRD ANGLE PROJECTION	SIZE	SCALE	DRAW / DATE	CHECK / DATE	APPROVE / DATE	TOLERANCES	ANGLES ± 1°	UNIT	SHEET

GT Contact CD,LT,D  
 NOTICE OF PROPRIETARY PROPERTY  
 THE INFORMATION CONTAINED HEREIN IS THE PROPRIETARY PROPERTY OF GT Contact CO,LT,D THE POSSESSOR AGREES TO MAINTAIN THIS DOCUMENT IN CONFIDENCE AND NOT TO REPRODUCE OR PUBLISH IT IN WHOLE OR PART (C) ALL RIGHTS RESERVED