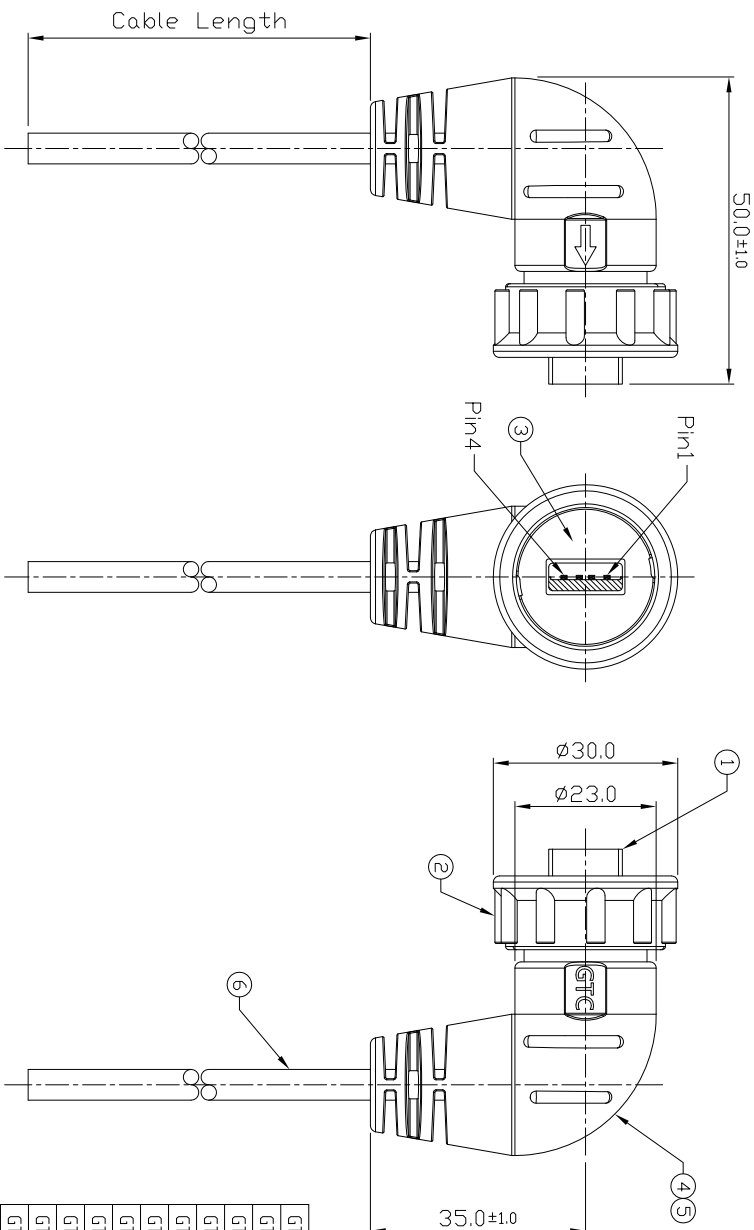


Notes: (Unless Otherwise Specified)  
 1. Waterproof Rate: IP67.  
 2. RoHS Compliant.

REV	ECN#	DESCRIPTION OF REVISION	DRAW BY DATE	CHECK BY DATE	APPROVE BY DATE
A0		Mass Production	Joyce 05/06/13	Lucas 05/06/13	Roy 05/06/13

GTC  
 DOC.CENTER.ISSUE  
 MAY.07.2013  
 ONLY FOR  
 RELEASE



Item	Part Name	QTY
6	Cable	1
5	Over Mold	1
4	Inner Mold	2
3	Rubber Pad	1
2	Lock Nut	1
1	USB-A Plug	1

Wiring Diagram

Twist	Color
1	Red
2	White
3	Green
4	Black
Shell	Drain

GT111229-01-10	10000 mm	±500
GT111229-01-09	9000 mm	±450
GT111229-01-08	8000 mm	±400
GT111229-01-07	7000 mm	±350
GT111229-01-06	6000 mm	±300
GT111229-01-05	5000 mm	±250
GT111229-01-04	4000 mm	±200
GT111229-01-03	3000 mm	±150
GT111229-01-02	2000 mm	±100
GT111229-01-01	1000 mm	±50
GT111229-01-29	900 mm	±40
GT111229-01-28	800 mm	±40
GT111229-01-27	700 mm	±40
GT111229-01-26	600 mm	±40
GT111229-01-25	500 mm	±40
GT111229-01-24	400 mm	±20
GT111229-01-23	300 mm	±20
GT111229-01-22	200 mm	±10
Part No.	Cable length	Tol.

TITLE  
 USB-A Plastic C4 Cable End Right Angle Plug Lock with Cable

DRAWING NUMBER  
 GT111229-01-XX  
 REV.  
 A0

GT Contact CD,LT,D

THIRD ANGLE PROJECTION	SIZE	SCALE	DRAW / DATE	CHECK / DATE	APPROVE / DATE	TOLERANCES	UNIT	SHEET
	B	1:1	Joyce 05/06/13	Lucas 05/06/13	Roy 05/06/13	± 0.5 XXXX ANGLES ± 1°	mm	1/1

NOTICE OF PROPRIETARY PROPERTY:  
 THE INFORMATION CONTAINED HEREIN IS THE PROPRIETARY PROPERTY OF GT Contact CO.,LTD THE POSSESSOR ADDRESS TO THE FOLLOWING  
 (1) TO MAINTAIN THIS DOCUMENT IN CONFIDENCE  
 (2) NOT TO REPRODUCE OR PUBLISH IT IN WHOLE OR PART  
 (3) ALL RIGHTS RESERVED

1

2

3

4