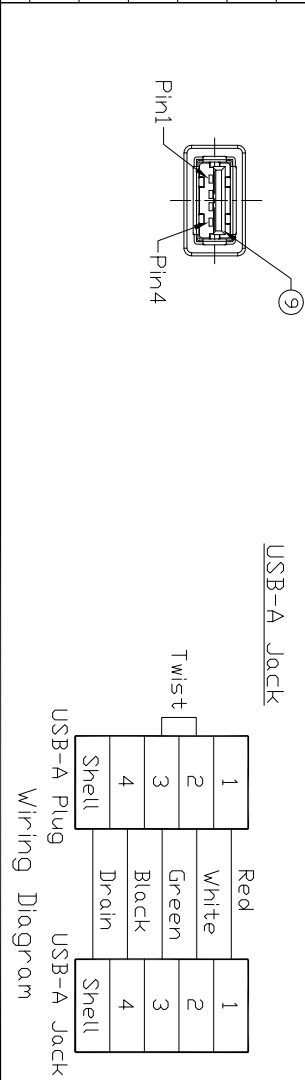
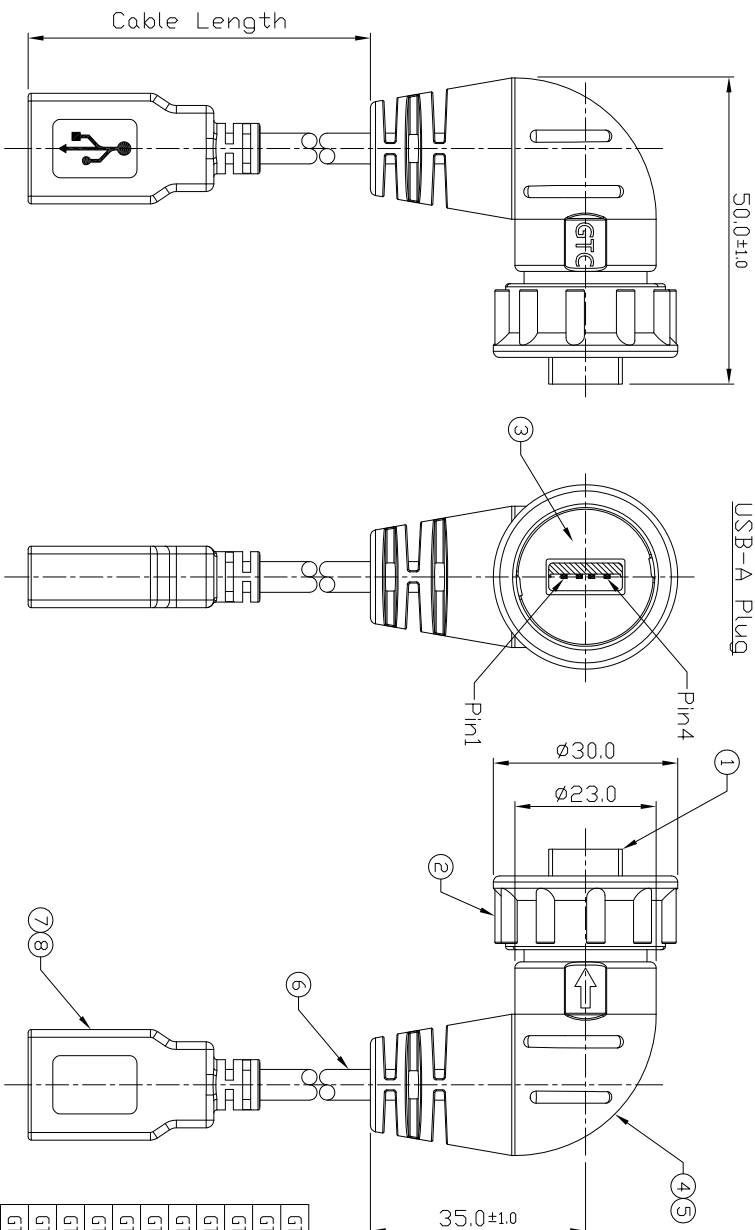


Notes: (Unless Otherwise Specified)  
 1. Waterproof Rate: IP67.  
 2. RoHS Compliant.

GTC  
 DOC.CENTER.ISSUE  
 DEC.26.2012  
 ONLY FOR  
 RELEASE

9	USB-A Jack	Housing: Thermoplastic, Color: White Contact: Copper Alloy, Finish: Gold Flash Shell: STPC, Finish: Ni Plated	1
8	Diver Mold	PVC Color: Black	1
7	Inner Mold	Thermoplastic Color: White	1
6	Cable	UL2725 1P*28AWG+2C*24AWG+4V+1D+8 Color: Black, DD=5.0mm	1
5	Diver Mold	PVC Color: Black	1
4	Inner Mold	PVC Color: Black	2
3	Rubber Pad	Silicone Color: Black	1
2	Lock Nut	Thermoplastic Color: Black	1
1	USB-A Plug	Housing: Thermoplastic, Color: Black Contact: Copper Alloy, Finish: Au Plated Shell: Cold Roll Steel, Finish: Ni Plated	1



USB-A Plug	USB-A Jack
1	1
2	2
3	3
4	4

Wiring Diagram

DRAWING NUMBER  
 GT111221-06-XX

REV.  
 A0

DD NOT SCALE DRAWINGS	B	1:1	David 06/21/10	Roy 06/21/10	Roy 06/21/10	XX XXX	± 0.5 ± 0.2	XXXX ANGLES	± 0.05 ± 1°	mm	1/1
-----------------------	---	-----	----------------	--------------	--------------	-----------	----------------	----------------	----------------	----	-----

GT Contact CD,LT,D

NOTICE OF PROPRIETARY PROPERTY  
 THE INFORMATION CONTAINED HEREIN IS THE PROPRIETARY PROPERTY OF GT Contact CD,LT,D THE POSSESSOR AGREES TO MAINTAIN THIS DOCUMENT IN CONFIDENCE AND NOT TO REPRODUCE OR PUBLISH IT IN WHOLE OR PART (S) ALL RIGHTS RESERVED

A

B

C

D

