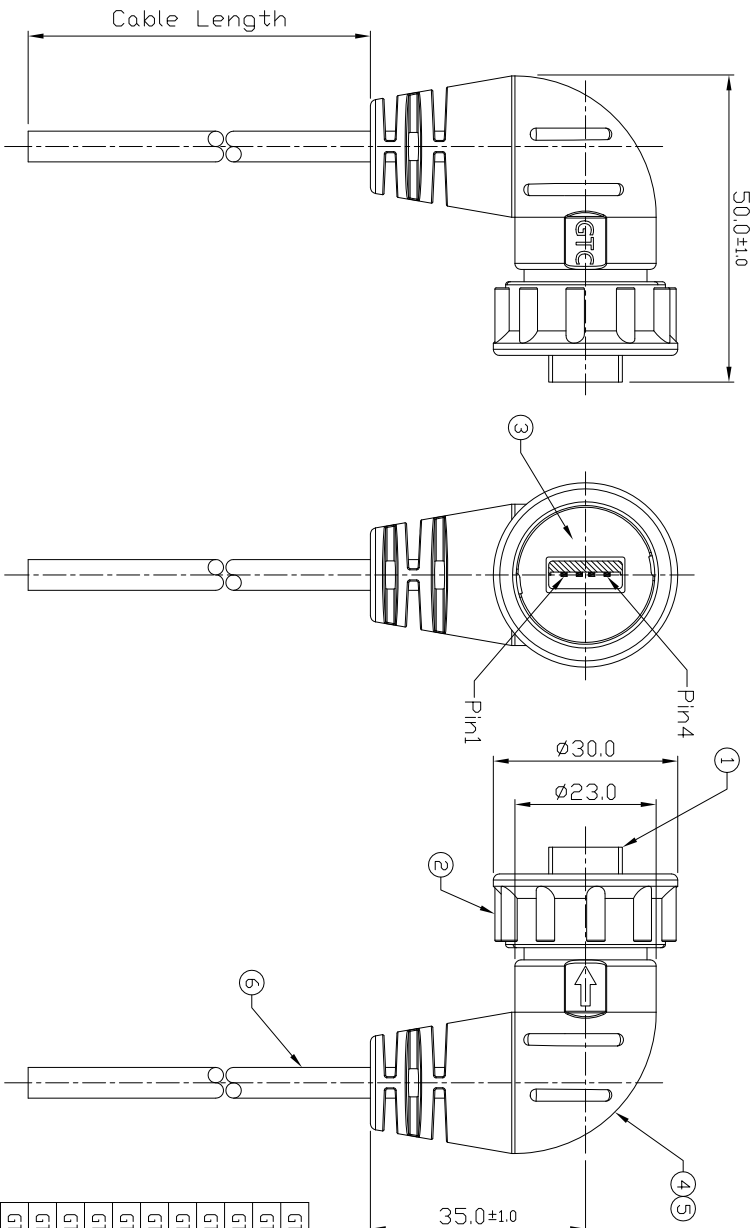


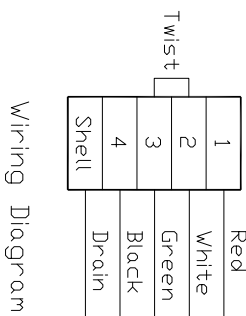
Notes: (Unless Otherwise Specified)
 1. Waterproof Rate: IP67.
 2. RoHS Compliant.

REV	ECN#	DESCRIPTION OF REVISION	DRAW BY DATE	CHECK BY DATE	APPROVE BY DATE
A0		Mass Production	Joyce 05/06/13	Lucas 05/06/13	Roy 05/06/13

GTC
DOC.CENTER.ISSUE
MAY.07.2013
ONLY FOR
RELEASE



Item	Part Name	Material / Finish	QTY
6	Cable	UL2725 1P*28AWG+2C*24AWG+4L/Wy+1D+B Color: Black, DD=50mm	1
5	Over Mold	PVC Color: Black	1
4	Inner Mold	PVC Color: Black	2
3	Rubber Pad	Silicone Color: Black	1
2	Lock Nut	Thermoplastic Color: Black	1
1	USB-A Plug	Housing: Thermoplastic, Color: Black Contact: Copper Alloy, Finish: Au Plated Shell: Cold Roll Steel, Finish: Ni Plated	1



TITLE
 USB-A Plastic C4 Cable End Left Angle Plug Lock with Cable

DRAWING NUMBER
 GT111221-01-XX

REV.
 A0

THIRD ANGLE PROJECTION	SIZE	SCALE	DRAW / DATE	CHECK / DATE	APPROVE / DATE	TOLERANCES	UNIT	SHEET	
	B	1:1	Joyce 05/06/13	Lucas 05/06/13	Roy 05/06/13	XX ± 0.5 XXX ± 0.2	XXXX ± 0.05 ANGLES ± 1°	mm	1/1

GT Contact CD,LT,D

NOTICE OF PROPRIETARY PROPERTY

THE INFORMATION CONTAINED HEREIN IS THE PROPRIETARY PROPERTY OF GT Contact CO.,LTD THE POSSESSOR AGREES TO MAINTAIN THIS DOCUMENT IN CONFIDENCE AND NOT TO REPRODUCE OR PUBLISH IT IN WHOLE OR PART (C) ALL RIGHTS RESERVED

A

B

C

D

A

B

C

D

1

2

3

4

1

2

3

4