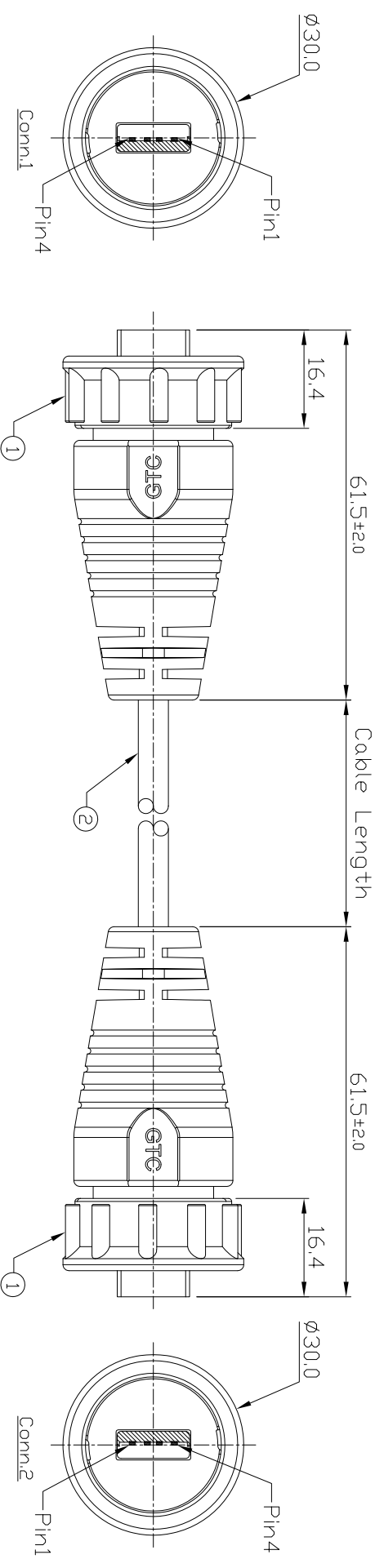


Notes: (Unless Otherwise Specified)
 1. Waterproof Rate: IP67.
 2. RoHS Compliant.

REV	ECN#	DESCRIPTION OF REVISION	DRAW BY DATE	CHECK BY DATE	APPROVE BY DATE
A0		Mass Production	Joyce 10/23/12	Lucas 10/23/12	Roy 10/23/12



GTC
 DOC.CENTER.ISSUE
 OCT.23.2012
 ONLY FOR
 RELEASE

Item	Part Name	Material / Finish	QTY
2	Cable	UL2725 1P*28AWG+2C*24AWG+AV/Wy+D+B Color: Black, DD=5.0mm	1
1	USB-A Plastic C4 Cable End Plug Lock	GT Contact P/N: GT111220-01-XX	2

Conn.1	Conn.2
1 Red	1
2 White	2
3 Green	3
4 Black	3
Shell Drain	4
Shell	Shell

Wiring Diagram

GT111220-0C-10	10000 mm	±500
GT111220-0C-09	9000 mm	±450
GT111220-0C-08	8000 mm	±400
GT111220-0C-07	7000 mm	±350
GT111220-0C-06	6000 mm	±300
GT111220-0C-05	5000 mm	±250
GT111220-0C-04	4000 mm	±200
GT111220-0C-03	3000 mm	±150
GT111220-0C-02	2000 mm	±100
GT111220-0C-01	1000 mm	±50
GT111220-0C-29	900 mm	±40
GT111220-0C-28	800 mm	±40
GT111220-0C-27	700 mm	±40
GT111220-0C-26	600 mm	±40
GT111220-0C-25	500 mm	±40
Part No.	Cable length	Tol.

TITLE USB-A Plastic C4 Cable End Twin-head Plug Lock

DRAWING NUMBER GT111220-0C-XX
 REV. A0

THIRD ANGLE PROJECTION	SIZE	SCALE	DRAW / DATE	CHECK / DATE	APPROVE / DATE	TOLERANCES	UNIT	SHEET
1	B	1:1	Joyce 10/23/12	Lucas 10/23/12	Roy 10/23/12	± 0.5 ANGLES ± 1°	mm	1/1

GT Contact CD,LTID

NOTICE OF PROPRIETARY PROPERTY:
 THE INFORMATION CONTAINED HEREIN IS THE PROPRIETARY PROPERTY OF GT Contact COLTD THE POSSESSOR AGREES TO MAINTAIN THIS DOCUMENT IN CONFIDENCE AND NOT TO REPRODUCE OR PUBLISH IT IN WHOLE OR PART (S) ALL RIGHTS RESERVED