

1

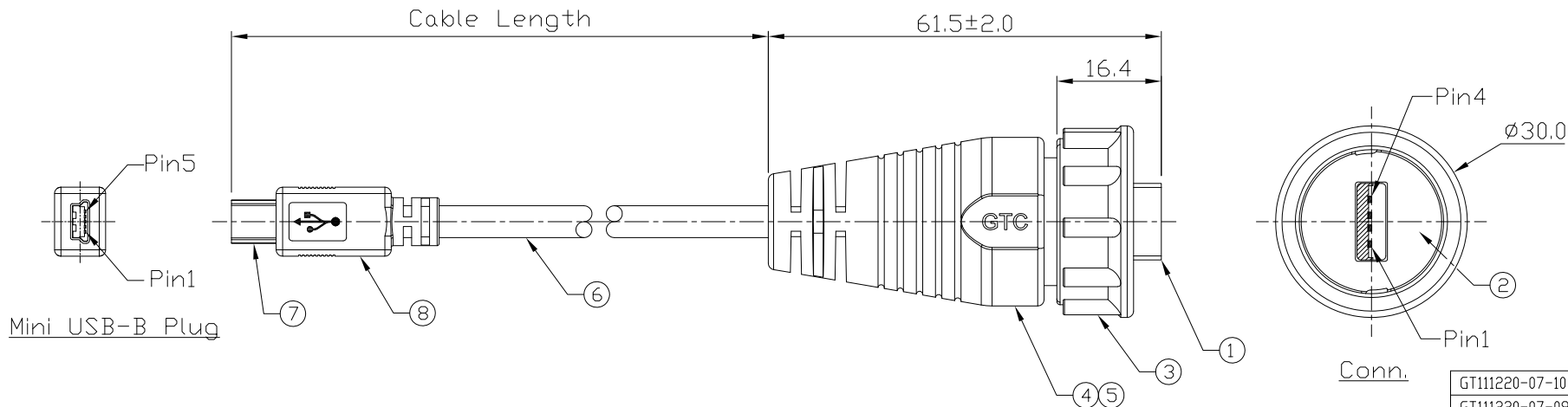
2

3

4

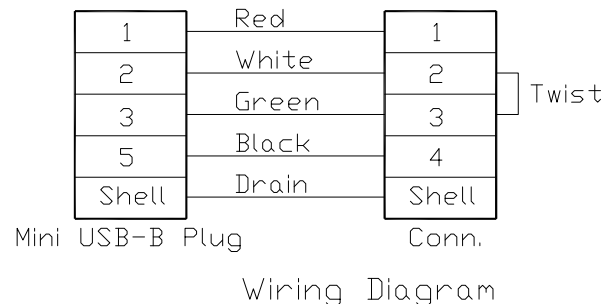
Notes: (Unless Otherwise Specified)
 1. Waterproof Rate: IP67.
 2. RoHS Compliant.

REV	ECN#	DESCRIPTION OF REVISION	DRAW BY DATE	CHECK BY DATE	APPROVE BY DATE
A0		Mass Production	Lucas 09/02/09	Ray 09/02/09	Ray 09/02/09
A1	ECN-100416	Modified Design	Lucas 04/20/10	Ray 04/20/10	Ray 04/20/10



Item	Part Name	Material / Finish	QTY
8	Over Mold	PVC Color: Black	1
7	Mini USB-B Plug	Housing: Thermoplastic, Color: Black Contacts: Copper Alloy, Finish: Au Plated Shell: Cold Roll Steel, Finish: Ni Plated	1
6	Cable	UL2725 1P*28AWG+2C*24AWG+Al/My+D+B Color: Black, DD=5.0mm	1
5	Over Mold	PVC Color: Black	1
4	Inner Mold	Thermoplastic Color: Black	2
3	Lock Nut	Thermoplastic Color: Black	1
2	Rubber Pad	Silicone Color: Black	1
1	USB-A Plug	Housing: Thermoplastic, Color: Black Contacts: Copper Alloy, Finish: Au Plated Shell: Cold Roll Steel, Finish: Ni Plated	1

GTC
 DOC.CENTER.ISSUE
 APR.26.2010
 ONLY FOR
 RELEASE



Part No.	Cable Length	Tol.
GT111220-07-10	10000 mm	±500
GT111220-07-09	9000 mm	±450
GT111220-07-08	8000 mm	±400
GT111220-07-07	7000 mm	±150
GT111220-07-06	6000 mm	±150
GT111220-07-05	5000 mm	±150
GT111220-07-04	4000 mm	±150
GT111220-07-03	3000 mm	±150
GT111220-07-02	2000 mm	±100
GT111220-07-01	1000 mm	±50
GT111220-07-Z9	900 mm	±40
GT111220-07-Z8	800 mm	±40
GT111220-07-Z7	700 mm	±40
GT111220-07-Z6	600 mm	±40
GT111220-07-Z5	500 mm	±40
GT111220-07-Z4	400 mm	±20
GT111220-07-Z3	300 mm	±20
GT111220-07-Z2	200 mm	±10

GT Contact CO.,LTD

NOTICE OF PROPRIETARY PROPERTY:
 THE INFORMATION CONTAINED HEREIN IS THE PROPRIETARY PROPERTY OF GT Contact CO.,LTD THE POSSESSOR AGREES TO THE FOLLOWING:
 (A) TO MAINTAIN THIS DOCUMENT IN CONFIDENCE
 (B) NOT TO REPRODUCE OR COPY IT
 (C) NOT TO REVEAL OR PUBLISH IT IN WHOLE OR PART
 (D) ALL RIGHTS RESERVED

TITLE						DRAWING NUMBER			REV.
USB-A Plastic C4 Cable End Plug Lock With Cable + Mini USB-B Plug						GT111220-07-XX			A1
THIRD ANGLE PROJECTION	SIZE	SCALE	DRAW / DATE	CHECK / DATE	APPROVE / DATE	TOLERANCES	UNIT	SHEET	
DD NOT SCALE DRAWINGS	B	1:1	Lucas 09/02/09	Ray 09/02/09	Ray 09/02/09	X.X ± 0.5 X.XX ± 0.2	mm	1/1	
						X.XXX ± 0.05 ANGLES ± 1°			