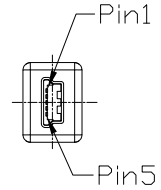
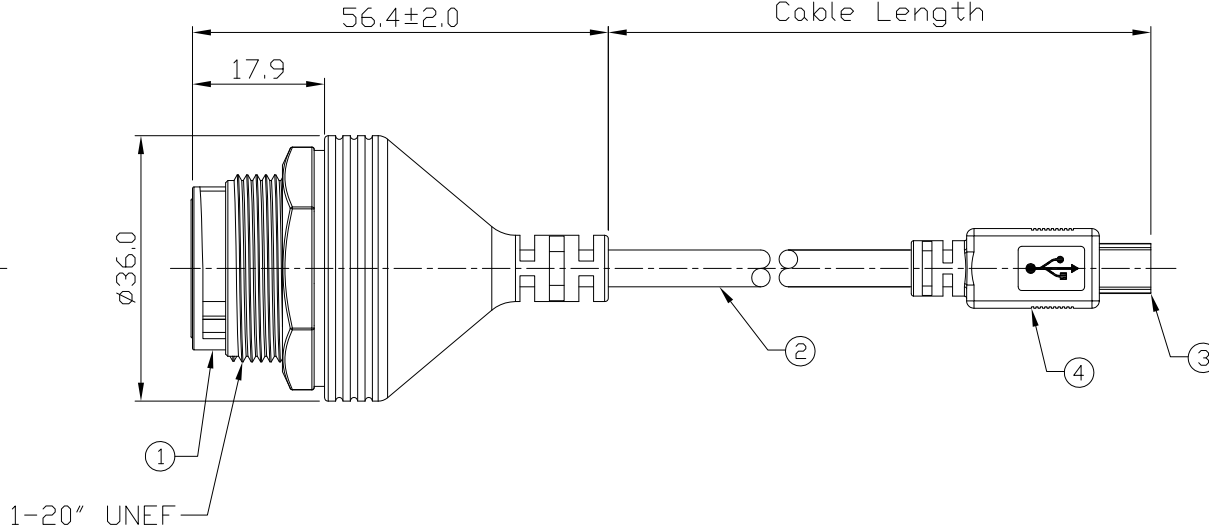
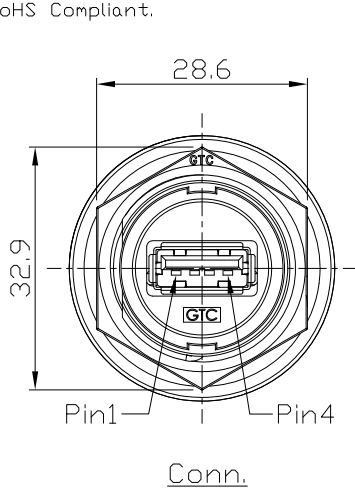


Notes: (Unless Otherwise Specified)

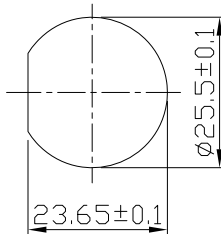
1. Waterproof Rate: IP67.
2. Recommend Panel Thickness: 0.8 to 6.0 mm.
3. Recommend Torque: 19~20 Kgf-cm.
4. Mating Cap P/N :GT1C1110X2.
5. RoHS Compliant.

REV	ECN#	DESCRIPTION OF REVISION	DRAW BY DATE	CHECK BY DATE	APPROVE BY DATE
A0		Mass Production	Lucas 05/06/15	Ray 05/06/15	Ray 05/06/15

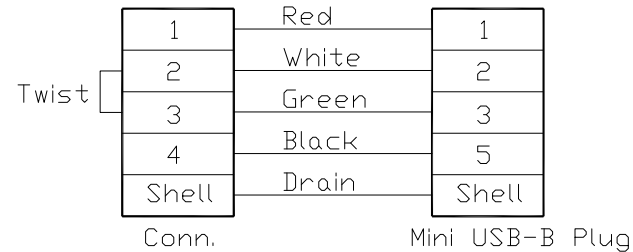


Mini USB-B Plug

GTC  
DOC.CENTER.ISSUE  
MAY.06.2015  
ONLY FOR  
RELEASE



Recommend  
Panel Cut-Out



Wiring Diagram

Part No.	Cable Length	Tol.
GT111210-07-10	10000 mm	±500
GT111210-07-09	9000 mm	±450
GT111210-07-08	8000 mm	±400
GT111210-07-07	7000 mm	±150
GT111210-07-06	6000 mm	±150
GT111210-07-05	5000 mm	±150
GT111210-07-04	4000 mm	±150
GT111210-07-03	3000 mm	±150
GT111210-07-02	2000 mm	±100
GT111210-07-01	1000 mm	±50
GT111210-07-Z9	900 mm	±40
GT111210-07-Z8	800 mm	±40
GT111210-07-Z7	700 mm	±40
GT111210-07-Z6	600 mm	±40
GT111210-07-Z5	500 mm	±40
GT111210-07-Z4	400 mm	±20
GT111210-07-Z3	300 mm	±20

Item	Part Name	Material / Finish	QTY
4	Over Mold	PVC Color: Black	1
3	Mini USB-B Plug	Housing: Thermoplastic, Color: Black Contacts: Copper Alloy, Finish: Au Plated Shell: Cold Roll Steel, Finish: Ni Plated	1
2	Cable	UL2725 1P*28AWG+2C*24AWG+Al/My+D+B Color: Black, OD=5.0mm	1
1	USB-A Plastic C4 Cable To Cable Jack	GT Contact P/N: GT111210-01-XX	1

TITLE						DRAWING NUMBER			REV.	
USB-A Plastic C4 Cable To Cable Jack Lock With Cable + Mini USB-B Plug						GT111210-07-XX			A0	
THIRD ANGLE PROJECTION	SIZE	SCALE	DRAW / DATE	CHECK / DATE	APPROVE / DATE	X.X ± 0.5 X.XX ± 0.2	X.XXX ± 0.05 ANGLES ± 1°	mm	1/1	
						TOLERANCES		UNIT	SHEET	

GT Contact CO.,LTD

NOTICE OF PROPRIETARY PROPERTY:  
THE INFORMATION CONTAINED HEREIN IS THE PROPRIETARY PROPERTY OF GT Contact CO.,LTD THE POSSESSOR AGREES TO THE FOLLOWING:  
(a) TO MAINTAIN THIS DOCUMENT IN CONFIDENCE  
(b) NOT TO REPRODUCE OR COPY IT  
(c) NOT TO REVEAL OR PUBLISH IT IN WHOLE OR PART  
(d) ALL RIGHTS RESERVED