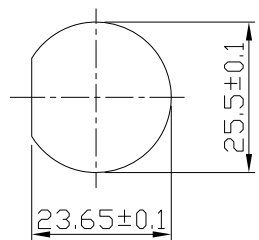
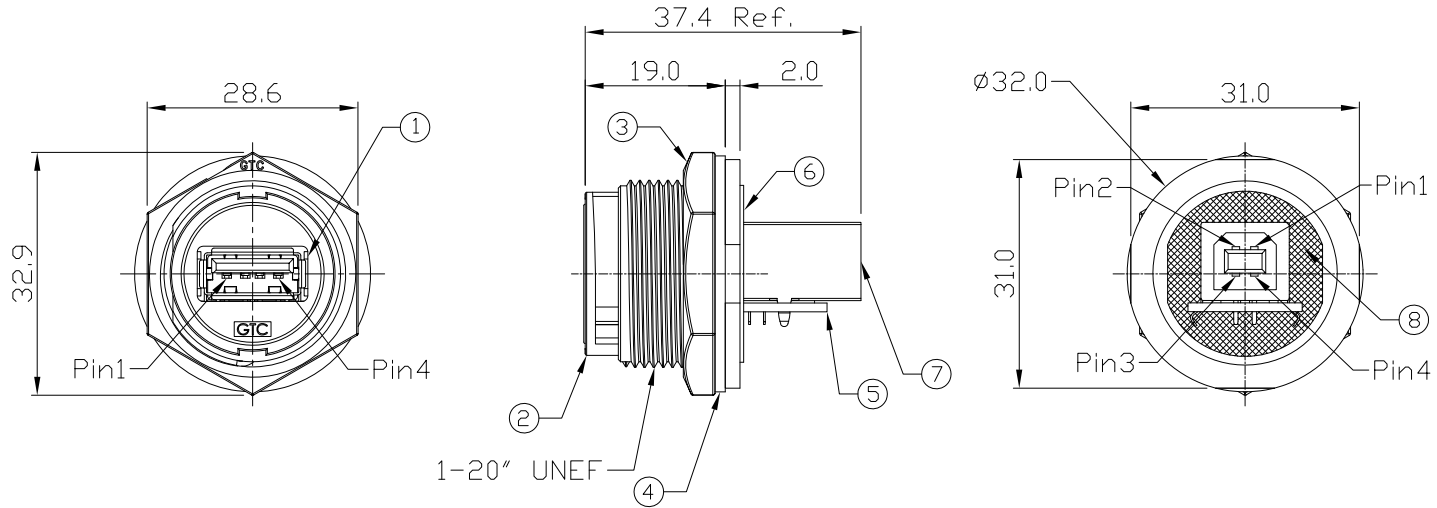


Notes: (Unless Otherwise Specified)

1. Waterproof Rate: IP67.
2. Recommend Panel Thickness: 0.8 to 6.0 mm.
3. Recommend Torque: 19~20 Kgf-cm.
4. Mating Cap P/N: GT1C1110X2.
5. RoHS Compliant.

| REV | ECN# | DESCRIPTION OF REVISION | DRAW BY DATE | CHECK BY DATE | APPROVE BY DATE |
|-----|------------|-------------------------|-------------------|-------------------|-----------------|
| A0 | ECN-130403 | Mass Production | Joyce 04/02/13 | Lucas 04/02/13 | Ray 04/02/13 |



Recommend
Panel Cut-Out

GTC
DOC.CENTER.ISSUE
APR.11.2013
ONLY FOR
RELEASE

| | | | |
|------|------------------|---|-----|
| 8 | Glue | Epoxy Color: Black | |
| 7 | USB-B Receptacle | Housing: Thermoplastic, Color: Black Contacts: Copper Alloy, Finish: Au Plated Shell: Copper Alloy, Finish: Ni Plated | 1 |
| 6 | Holder | Thermoplastic Color: Black | 1 |
| 5 | PCB | FR-4 Color: Green | 1 |
| 4 | Gasket | Silicone Color: Black | 1 |
| 3 | Hex Nut | Thermoplastic Color: Black | 1 |
| 2 | Housing | Thermoplastic Color: Black | 1 |
| 1 | USB-A Receptacle | Housing: Thermoplastic, Color: Black Contacts: Copper Alloy, Finish: Au Plated Shell: Copper Alloy, Finish: Ni Plated | 1 |
| Item | Part Name | Material / Finish | QTY |

| TITLE | | | | | | DRAWING NUMBER | | | REV. |
|--|------|-------|----------------|----------------|----------------|-----------------------------|------|-------|------|
| USB-A Plastic C4 Panel Jack Lock With USB-B Receptacle Coupler | | | | | | GT111200-40 | | | A0 |
| THIRD ANGLE PROJECTION | SIZE | SCALE | DRAW / DATE | CHECK / DATE | APPROVE / DATE | TOLERANCES | UNIT | SHEET | |
| | B | 1:1 | Joyce 12/01/11 | Lucas 12/01/11 | Ray 12/01/11 | X.X ± 0.5 X.XX ± 0.2 | mm | 1/1 | |
| | | | | | | X.XXX ± 0.05 ANGLES ± 1° | | | |

GT Contact CO.,LTD

NOTICE OF PROPRIETARY PROPERTY:
THE INFORMATION CONTAINED HEREIN IS THE PROPRIETARY PROPERTY OF GT Contact CO.,LTD THE POSSESSOR AGREES TO THE FOLLOWING:
(i) TO MAINTAIN THIS DOCUMENT IN CONFIDENCE
(ii) NOT TO REPRODUCE OR COPY IT
(iii) NOT TO REVEAL OR PUBLISH IT IN WHOLE OR PART
(iv) ALL RIGHTS RESERVED