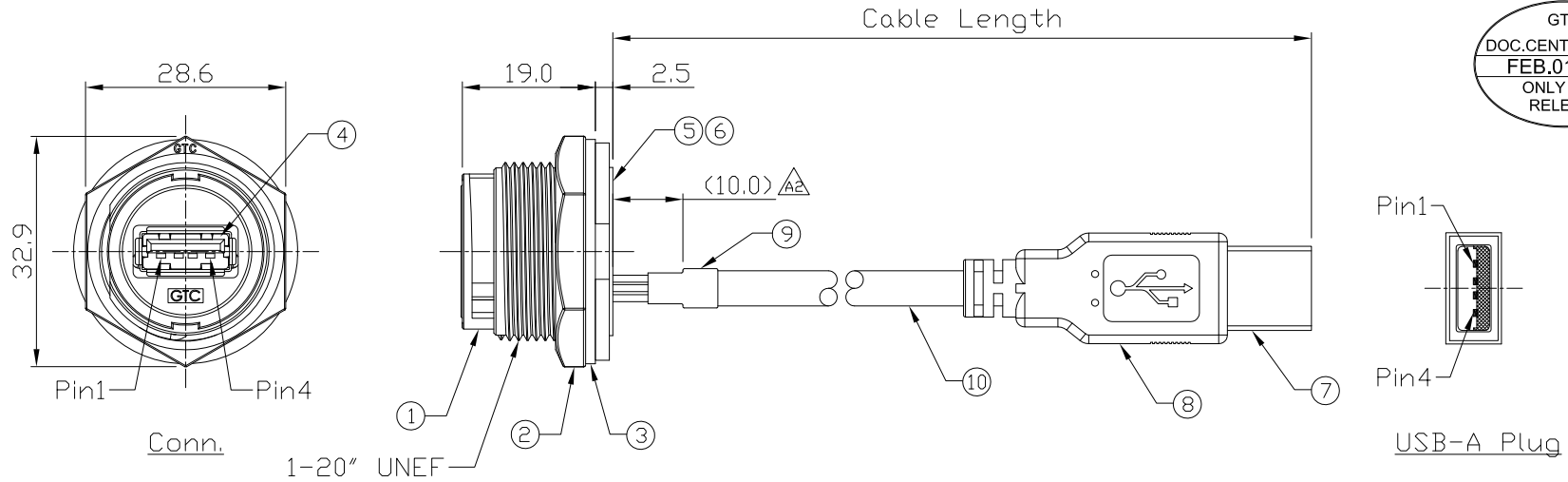


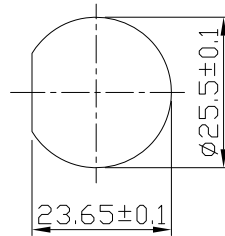
Notes: (Unless Otherwise Specified)

1. Waterproof Rate: IP67.
2. Recommend Panel Thickness: 0.8 to 6.0 mm.
3. Recommend Torque: 19~20 Kgf-cm.
4. Mating Cap P/N: GT1C1110X2.
5. RoHS Compliant.

REV	ECN#	DESCRIPTION OF REVISION	DRAW BY DATE	CHECK BY DATE	APPROVE BY DATE
A2	ECN-210135	Change The Position Of Shrink Tube Dimension $\triangle A2$	Joyce 01/29/21	Lucas 01/29/21	Ray 01/29/21



Item	Part Name	Material / Finish	QTY
10	Cable	UL2725 IP*28AWG+2C*24AWG+Al/My+D+B Color: Black, OD=5.0mm	1
9	Shrink Tube	L=20mm Color: Black	1
8	Over Mold	PVC Color: Black	1
7	USB-A Plug	Housing: Thermoplastic, Color: Black Contacts: Copper Alloy, Finish: Au Plated Shell: Cold Roll Steel, Finish: Ni Plated	1
6	Glue	Epoxy Color: Black	
5	PCB	FR-4 Color: —	1
4	USB-A Receptacle	Housing: Thermoplastic, Color: Black Contacts: Copper Alloy, Finish: Au Plated Shell: Copper Alloy, Finish: Ni Plated	1
3	Gasket	Silicone Color: Black	1
2	Hex Nut	Thermoplastic Color: Black	1
1	Housing	Thermoplastic Color: Black	1



Recommend Panel Cut-Out



Wiring Diagram

Part No.	Cable Length	Tol.
GT111200-05-01	1000 mm	±50
GT111200-05-Z9	900 mm	±40
GT111200-05-Z8	800 mm	±40
GT111200-05-Z7	700 mm	±40
GT111200-05-Z6	600 mm	±40
GT111200-05-Z5	500 mm	±40
GT111200-05-Z4	400 mm	±20
GT111200-05-Z3	300 mm	±20
GT111200-05-Z2	200 mm	±10
GT111200-05-Z1	100 mm	±10

GT Contact CO.,LTD

NOTICE OF PROPRIETARY PROPERTY:

THE INFORMATION CONTAINED HEREIN IS THE PROPRIETARY PROPERTY OF GT CONTACT CO.,LTD THE POSSESSOR AGREES TO THE FOLLOWING:
 (a) TO MAINTAIN THIS DOCUMENT IN CONFIDENCE
 (b) NOT TO REPRODUCE OR COPY IT
 (c) NOT TO REVEAL OR PUBLISH IT IN WHOLE OR PART
 (d) ALL RIGHTS RESERVED

TITLE						DRAWING NUMBER			REV.	
USB-A Plastic C4 Panel Jack Lock With Cable + USB-A Plug						GT111200-05-XX			A2	
	B	1:1	David 06/21/10	Ray 06/21/10	Ray 06/21/10	X.X ± 0.5	X.XXX ± 0.05	mm	1/1	
THIRD ANGLE PROJECTION	SIZE	SCALE	DRAW / DATE	CHECK / DATE	APPROVE / DATE	TOLERANCES		UNIT	SHEET	