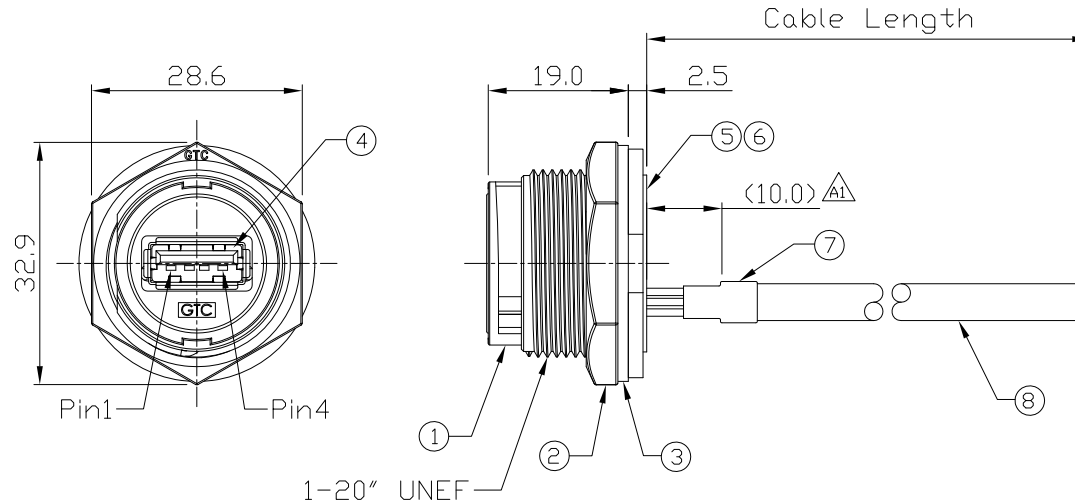


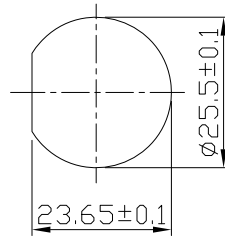
Notes: (Unless Otherwise Specified)

1. Waterproof Rate: IP67.
2. Recommend Panel Thickness: 0.8 to 6.0 mm.
3. Recommend Torque: 19~20 Kgf-cm.
4. Mating Cap P/N: GT1C1110X2.
5. RoHS Compliant.

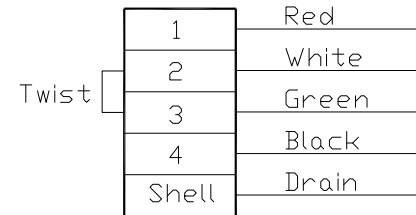
| REV | ECN# | DESCRIPTION OF REVISION | DRAW BY DATE | CHECK BY DATE | APPROVE BY DATE |
|-----|------------|---|-------------------|-------------------|-----------------|
| A1 | ECN-210135 | Modify The Dimensions of Shrink Tube (25) -> (10.0) | Joyce 01/29/21 | Lucas 01/29/21 | Ray 01/29/21 |



| 8 | Cable | UL2725 IP*28AWG+2C*24AWG+Al/My+D+B Color: Black, OD=5.0mm | 1 |
|------|------------------|---|-----|
| 7 | Shrink Tube | L=20mm Color: Black | 1 |
| 6 | Glue | Epoxy Color: Black | |
| 5 | PCB | FR-4 Color: _____ | 1 |
| 4 | USB-A Receptacle | Housing: Thermoplastic, Color: Black Contacts: Copper Alloy, Finish: Au Plated Shell: Copper Alloy, Finish: Ni Plated | 1 |
| 3 | Gasket | Silicone Color: Black | 1 |
| 2 | Hex Nut | Thermoplastic Color: Black | 1 |
| 1 | Housing | Thermoplastic Color: Black | 1 |
| Item | Part Name | Material / Finish | QTY |



Recommend
Panel Cut-Out



Wiring Diagram

| GT111200-03-05 | 5000 mm | ±150 |
|----------------|--------------|------|
| GT111200-03-01 | 1000 mm | ±50 |
| GT111200-03-Z9 | 900 mm | ±20 |
| GT111200-03-Z8 | 800 mm | ±20 |
| GT111200-03-Z7 | 700 mm | ±20 |
| GT111200-03-Z6 | 600 mm | ±20 |
| GT111200-03-Z5 | 500 mm | ±20 |
| GT111200-03-Z4 | 400 mm | ±10 |
| GT111200-03-Z3 | 300 mm | ±10 |
| GT111200-03-Z2 | 200 mm | ±10 |
| GT111200-03-Z1 | 100 mm | ±10 |
| Part No. | Cable Length | Tol. |

GT Contact CO.,LTD

NOTICE OF PROPRIETARY PROPERTY:

THE INFORMATION CONTAINED HEREIN IS THE PROPRIETARY PROPERTY OF GT Contact CO.,LTD THE POSSESSOR AGREES TO THE FOLLOWING:
 (a) TO MAINTAIN THIS DOCUMENT IN CONFIDENCE
 (b) NOT TO REPRODUCE OR COPY IT
 (c) NOT TO REVEAL OR PUBLISH IT IN WHOLE OR PART
 (d) ALL RIGHTS RESERVED

| TITLE | | | | | | DRAWING NUMBER | | | REV. |
|---|------|-------|----------------|--------------|----------------|-------------------------|-----------------------------|------|-------|
| USB-A Plastic C4 Panel Jack Lock With Cable | | | | | | GT111200-03-XX | | | A1 |
| | B | 1:1 | Vicky 10/28/10 | Ray 10/28/10 | Ray 10/28/10 | X.X ± 0.5 X.XX ± 0.2 | X.XXX ± 0.05 ANGLES ± 1° | mm | 1/1 |
| THIRD ANGLE PROJECTION | SIZE | SCALE | DRAW / DATE | CHECK / DATE | APPROVE / DATE | TOLERANCES | | UNIT | SHEET |