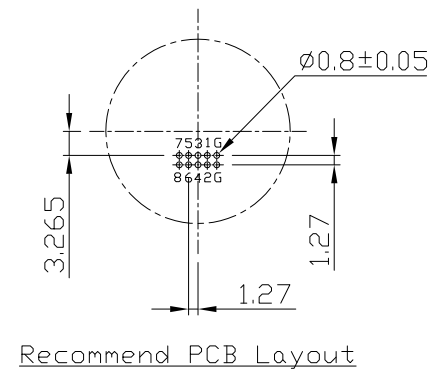
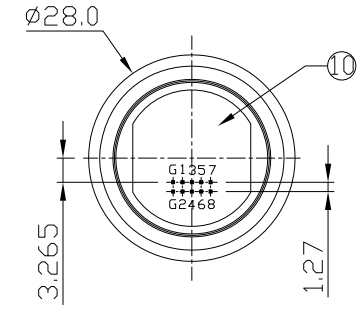
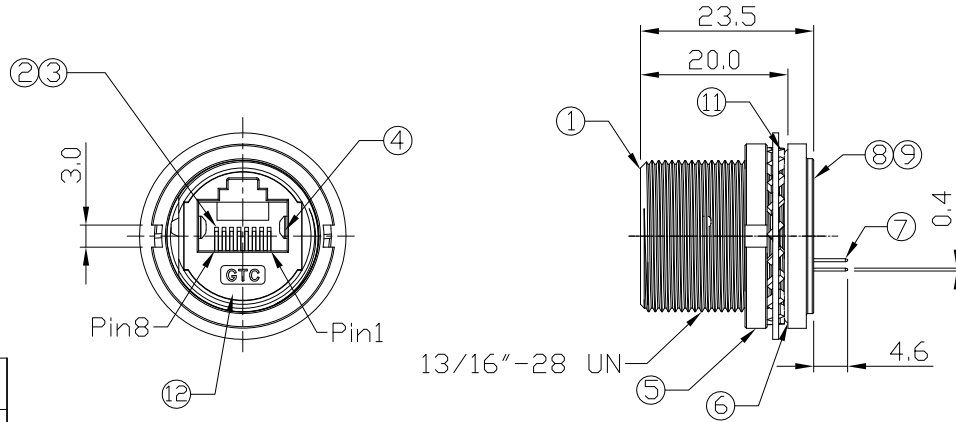
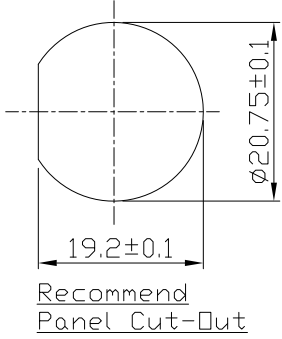


**Notes:** (Unless Otherwise Specified)

1. Waterproof Rate: IP68.
2. Recommend Panel Thickness: 0.8 to 5.0 mm.
3. Recommend Torque: 19~20 Kgf-cm.
4. Mating Cap P/N: GT2C2150X2/GT1C5331X2.
5. RoHS Compliant.

REV	ECN#	DESCRIPTION OF REVISION	DRAW BY DATE	CHECK BY DATE	APPROVE BY DATE
01			Lucas 10/06/22	Lucas 10/06/22	Ray 10/06/22



Item	Part Name	Material / Finish	Q'ty
12	Housing	Thermoplastic Color: Black	1
11	Washer	Stainless Finish: —	1
10	Glue	Epoxy Color: Black	
9	Holder	Silicone Color: Black	1
8	PCB	FR-4 Color: -	1
7	Pin Header	Housing: Thermoplastic; Color: Black Contacts: Copper Alloy; Finish: Au Plated	1
6	O-Ring	Silicone Color: Red	1
5	Spanner Nut	SUS316 Finish: -	1
4	EMI Shielded Plate	Copper Alloy Finish: Ni Plated	2
3	Holder	Thermoplastic Color: Black	1
2	RJ45 Receptacle	Housing: Thermoplastic; Color: Gray Contacts: Copper Alloy; Finish: Au Plated	1
1	Metal Body	SUS316 Finish: -	1

GTC  
DOC.CENTER.ISSUE  
OCT.19.2022  
ONLY FOR  
RELEASE

GT Contact CO.,LTD

TITLE						DRAWING NUMBER			REV.	
RJ45 Stainless C3 Shielded Panel Jack Dip Screw With Spanner Nut						GT625500-D0(S)			01	
THIRD ANGLE PROJECTION	SIZE	SCALE	DRAW / DATE	CHECK / DATE	APPROVE / DATE	TOLERANCES	UNIT	SHEET		
	B	1:1	Lucas 10/06/22	Lucas 10/06/22	Ray 10/06/22	X.X ± 0.5 X.XX ± 0.2	mm	1/1		

NOTICE OF PROPRIETARY PROPERTY:  
THE INFORMATION CONTAINED HEREIN IS THE PROPRIETARY PROPERTY OF GT Contact CO.,LTD THE POSSESSOR AGREES TO THE FOLLOWING:  
(a) TO MAINTAIN THIS DOCUMENT IN CONFIDENCE  
(b) NOT TO REPRODUCE OR COPY IT  
(c) NOT TO REVEAL OR PUBLISH IT IN WHOLE OR PART  
(d) ALL RIGHTS RESERVED