

1

2

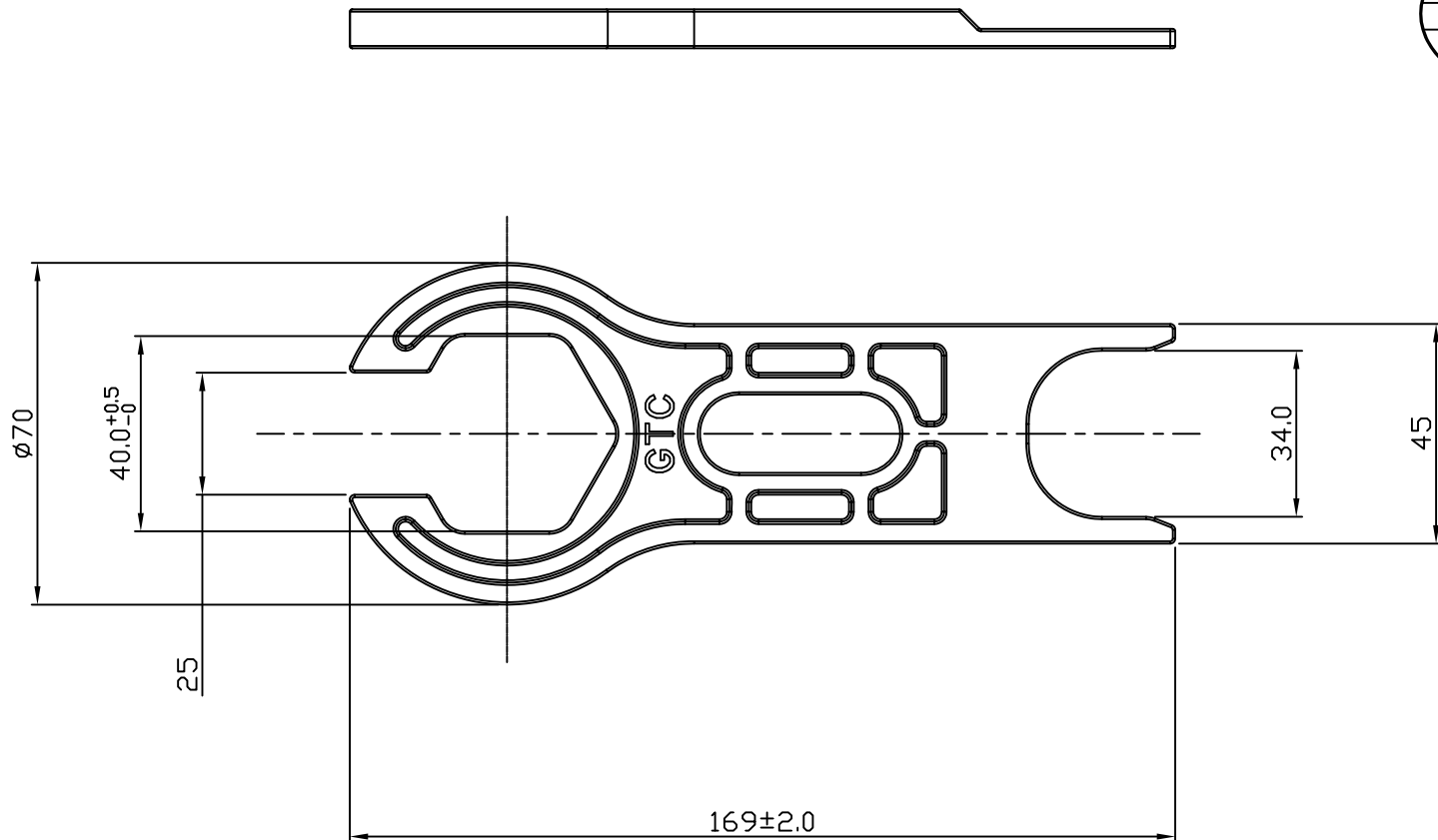
3

4

Note:
1. RoHS Compliant.

REV	ECN#	DESCRIPTION OF REVISION	DRAW BY DATE	CHECK BY DATE	APPROVE BY DATE
01			Lucas 01/26/15	Ray 01/26/15	Ray 01/26/15

GTC
R&D DEPT. ISSUE
JAN.26.2015
ONLY FOR
RELEASE



GT Contact CO.,LTD

NOTICE OF PROPRIETARY PROPERTY:
THE INFORMATION CONTAINED HEREIN IS THE PROPRIETARY PROPERTY OF GT Contact CO.,LTD THE POSSESSOR AGREES TO THE FOLLOWING:
(a) TO MAINTAIN THIS DOCUMENT IN CONFIDENCE
(b) NOT TO REPRODUCE OR COPY IT
(c) NOT TO REVEAL OR PUBLISH IT IN WHOLE OR PART
(d) ALL RIGHTS RESERVED

TITLE					DRAWING NUMBER			REV.
Power Tool					GT601E1-X8107			01
	N/A	Lucas 01/26/15	Ray 01/26/15	Ray 01/26/15	X.X ± 0.5 X.XX ± 0.2	X.XXX ± 0.1 ANGLES ± 1°	mm	1/1
THIRD ANGLE PROJECTION	SCALE	DRAFTER / DATE	CHECK / DATE	APPROVE / DATE	TOLERANCES		UNIT	SHEET

1

2

3

4

D

D

C

C

B

B

A

A