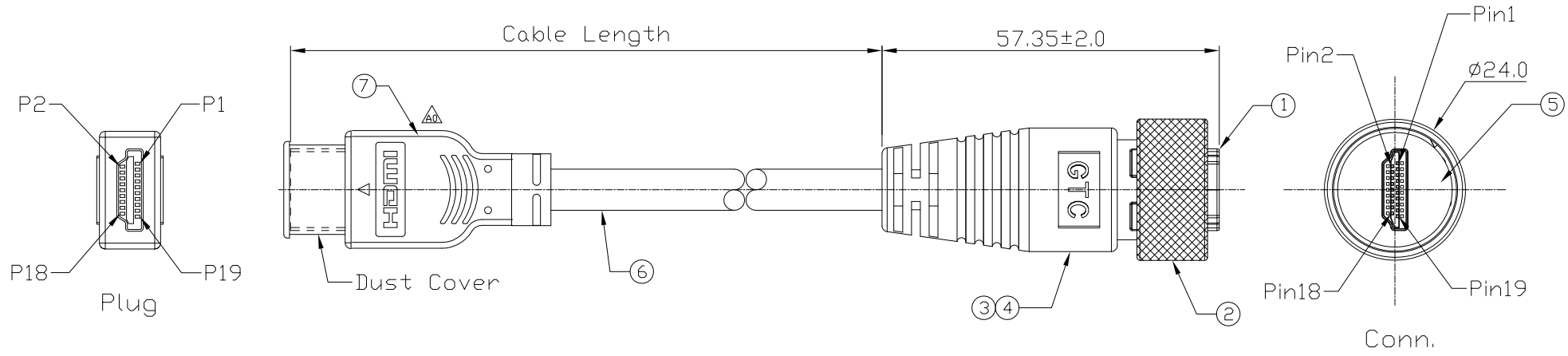


Notes: (Unless Otherwise Specified)

1. Waterproof Rate: IP68.
2. RoHS Compliant.

REV	ECN#	DESCRIPTION OF REVISION	DRAW BY DATE	CHECK BY DATE	APPROVE BY DATE
A0	ECN-211102	Change HDMI Plug And Molded.	Aileen 11/16/21	Lucas 11/16/21	Ray 11/16/21



Item	Part Name	Material / Finish	Q'ty
7	HDMI Male	HDMI 19P Male IDC Type Color: Black	1
6	Cable	UL20276 [(28#/1PR+EAM)*5+(28#/4C)]+AB85% Color: Black, OD=7.3mm	1
5	Rubber Pad	Silicone Color: Black	1
4	Over Mold	PVC Color: Black	1
3	Inner Mold	Thermoplastic Color: Black	1
2	Metal Screw Nut	Copper Alloy Color: Green	1
1	HDMI Plug	Housing: Thermoplastic, Color: Black Contacts: Copper Alloy, Finish: Au Plated Shell: Copper Alloy, Finish: Au Plated	1

Plug		Conn.		Plug		Conn.	
1	White	1	White	10	White	10	White
2	Drain	2	Drain	11	Drain	11	Drain
3	Brown	3	Brown	12	Blue	12	Blue
4	White	4	White	13	Red	13	Red
5	Drain	5	Drain	15	White	15	White
6	Red	6	Red	16	Purple	16	Purple
7	White	7	White	18	Black	18	Black
8	Drain	8	Drain	14	White	14	White
9	Green	9	Green	17	Drain	17	Drain
				19	Orange	19	Orange
				Shell	Braid	Shell	Braid

Wiring Diagram

GT2H2320-02-05(G)	5000 mm	+150
GT2H2320-02-04(G)	4000 mm	+150
GT2H2320-02-03(G)	3000 mm	+150
GT2H2320-02-02(G)	2000 mm	+100
GT2H2320-02-01(G)	1000 mm	+50
GT2H2320-02-Z9(G)	900 mm	+50
GT2H2320-02-Z8(G)	800 mm	+50
GT2H2320-02-Z7(G)	700 mm	+50
GT2H2320-02-Z6(G)	600 mm	+50
GT2H2320-02-Z5(G)	500 mm	+50
GT2H2320-02-Z4(G)	400 mm	+50
GT2H2320-02-Z3(G)	300 mm	+25
GT2H2320-02-Z2(G)	200 mm	+25
Part No.	Cable Length	Tol.

TITLE						DRAWING NUMBER			REV.	
HDMI C3 Metal Cable End Plug Screw With HDMI Plug						GT2H2320-02-XX(G)			A0	
THIRD ANGLE PROJECTION	SIZE	SCALE	DRAW / DATE	CHECK / DATE	APPROVE / DATE	TOLERANCES		UNIT	SHEET	
DD NOT SCALE DRAWINGS	B	1:1	Hank 07/27/16	Lucas 07/27/16	Ray 07/27/16	XX ± 0.5 XXX ± 0.2	XXX ± 0.05 ANGLES ± 1°	mm	1/1	

GT Contact CO.,LTD

NOTICE OF PROPRIETARY PROPERTY:  
THE INFORMATION CONTAINED HEREIN IS THE PROPRIETARY PROPERTY OF GT Contact CO.,LTD THE POSSESSOR AGREES TO THE FOLLOWING:  
(a) TO MAINTAIN THIS DOCUMENT IN CONFIDENCE  
(b) NOT TO REPRODUCE OR COPY IT  
(c) NOT TO REVEAL OR PUBLISH IT IN WHOLE OR PART  
(d) ALL RIGHTS RESERVED