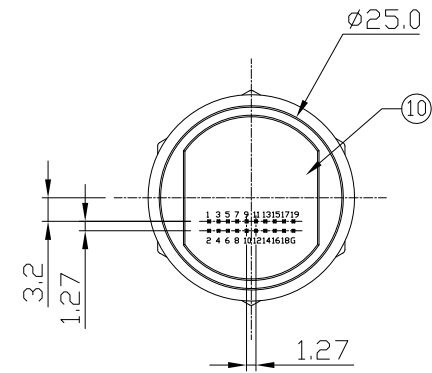
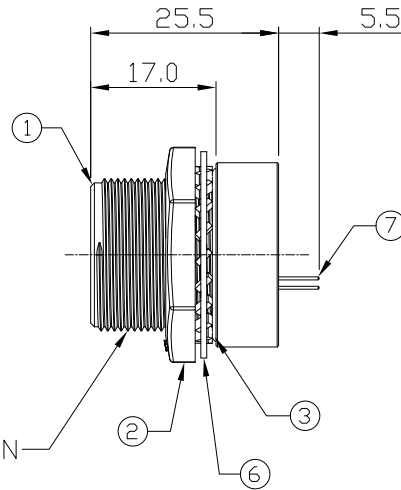
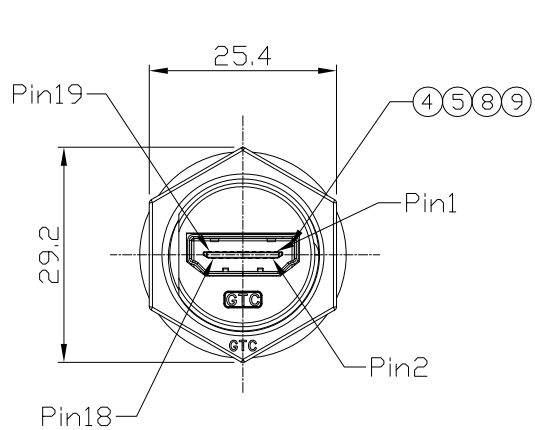


Notes: (Unless Otherwise Specified)

1. Waterproof Rate: IP68.
2. Recommend Panel Thickness: 0.8 to 4.5 mm.
3. Recommend Torque: 19~20 Kgf-cm.
4. Mating Cap P/N: GT2C2150X2/GT1C5331X2.
5. RoHS Compliant.

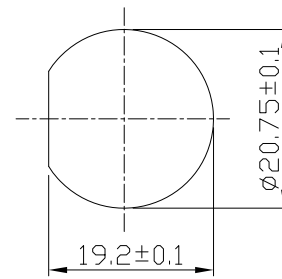
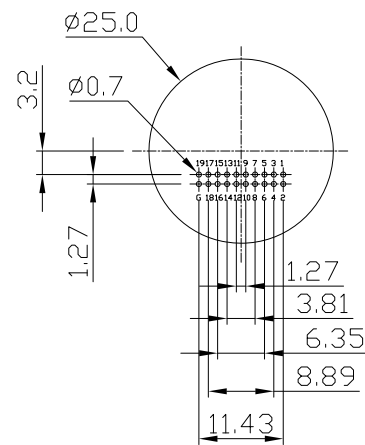
REV	ECN#	DESCRIPTION OF REVISION	DRAW BY DATE	CHECK BY DATE	APPROVE BY DATE
01			Lucas 03/07/16	Lucas 03/07/16	Ray 03/07/16

GTC
R&D DEPT. ISSUE
MAR.14.2016
ONLY FOR
RELEASE



10	Glue	Epoxy Color: Black	
9	Hold	Silicone Color: Black	1
8	PCB	FR-4 Color: Green	1
7	Pin Header	Housing: Thermoplastic, Color: Black Contacts: Copper Alloy, Finish: Au Plated	1
6	Metal Washer	SUS	1
5	EMI Shielded Plate	Copper Finish: Ni Plated	1
4	HDMI Receptacle	Housing: Thermoplastic, Color: Black Contacts: Copper Alloy, Finish: Au Plated Shell: Copper Alloy, Finish: Ni Plated	1
3	O-Ring	Silicone Color: Red	1
2	Hex Nut	Zn Alloy Finish: Ni Plated	1
1	Housing	Zn Alloy Finish: Ni Plated	1
Item	Part Name	Material / Finish	Qty

13/16"-28 UN



Recommend
Panel Cut-Out

Recommend PCB Layout

TITLE						DRAWING NUMBER			REV.
HDMI C3 Metal Panel Jack Screw Dip						GT2H2300-10			01
THIRD ANGLE PROJECTION	SIZE	SCALE	DRAW / DATE	CHECK / DATE	APPROVE / DATE	TOLERANCES	UNIT	SHEET	
	B	1:1	Lucas 03/07/16	Lucas 03/07/16	Ray 03/07/16	X.X ± 0.5 X.XX ± 0.2	mm	1/1	
						X.XXX ± 0.05 ANGLES ± 1°			

GT Contact CO.,LTD

NOTICE OF PROPRIETARY PROPERTY:
THE INFORMATION CONTAINED HEREIN IS THE PROPRIETARY PROPERTY OF GT Contact CO.,LTD THE POSSESSOR AGREES TO THE FOLLOWING:
(a) NOT TO REPRODUCE OR COPY IT
(b) NOT TO REVEAL OR PUBLISH IT IN WHOLE OR PART
(c) ALL RIGHTS RESERVED