

1

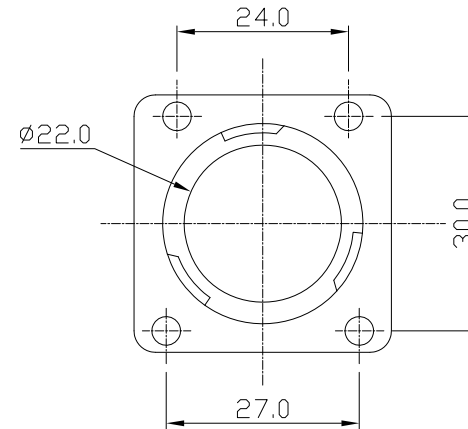
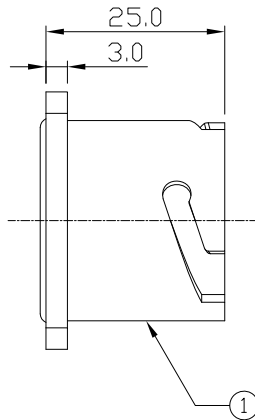
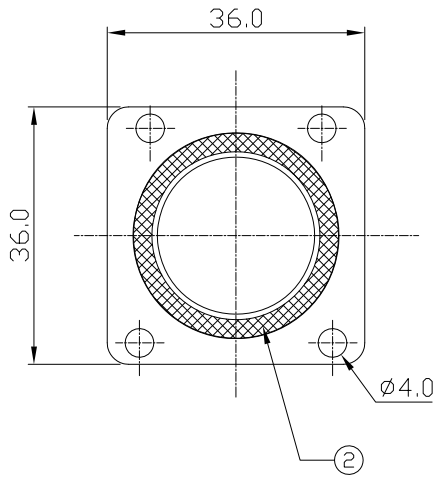
2

3

4

REV	ECN#	DESCRIPTION OF REVISION	DRAW BY DATE	CHECK BY DATE	APPROVE BY DATE
01			Lucas 10/02/14	Ray 10/02/14	Ray 10/02/14

Notes: (Unless Otherwise Specified)  
 1. Waterproof Rate: IP67.  
 2. RoHS Compliant.



GTC  
 R&D DEPT. ISSUE  
 OCT.14.2014  
 ONLY FOR  
 RELEASE

Item	Part Name	Material / Finish	Q'ty
2	O-ring	Silicone Color: Black	1
1	Housing	Zn Alloy Finish: Ni Plated	1

TITLE SFP Metal Panel Lock					DRAWING NUMBER GT2F1400			REV. 01	
	B	1:1	Lucas 10/02/14	Ray 10/02/14	Ray 10/02/14	XX ± 0.5 X.XX ± 0.2	XXX ± 0.05 ANGLES ± 1°	mm	1/1
THIRD ANGLE PROJECTION	SIZE	SCALE	DRAW / DATE	CHECK / DATE	APPROVE / DATE	TOLERANCES		UNIT	SHEET

GT Contact CO.,LTD

NOTICE OF PROPRIETARY PROPERTY:  
 THE INFORMATION CONTAINED HEREIN IS THE PROPRIETARY PROPERTY OF GT Contact CO.,LTD THE POSSESSOR AGREES TO THE FOLLOWING:  
 (i) TO MAINTAIN THIS DOCUMENT IN CONFIDENCE  
 (ii) NOT TO REPRODUCE OR COPY IT  
 (iii) NOT TO REVEAL OR PUBLISH IT IN WHOLE OR PART  
 (iv) ALL RIGHTS RESERVED

1

2

3

4