

1

2

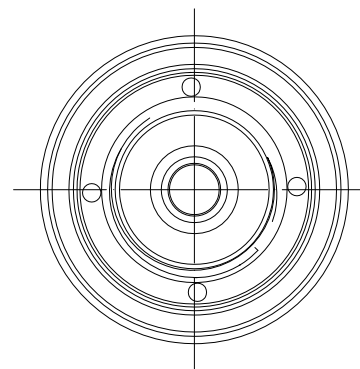
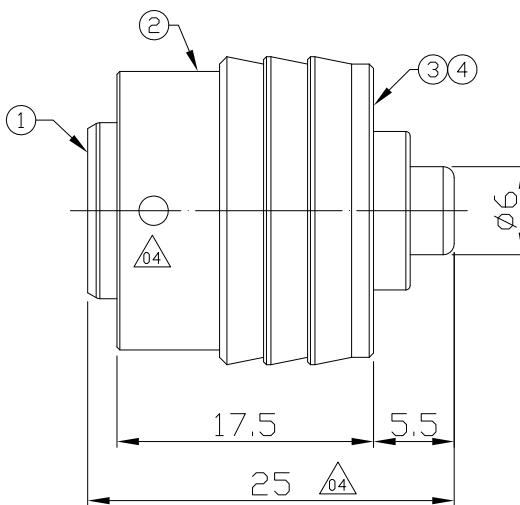
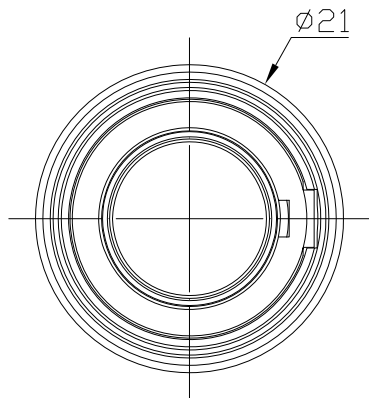
3

4

Notes: (Unless Otherwise Specified)

- 1. Waterproof Rate: IP68.
- 2. RoHS Compliant.

REV	ECN#	DESCRIPTION OF REVISION	DRAW BY DATE	CHECK BY DATE	APPROVE BY DATE
04	ECN-160118	1. Modify Item No. 1,2,3 Material SUS ----> Copper Alloy 2. Drawing Number GT2C622002 ----> GT2C612002	Hank 02/01/16	Lucas 02/01/16	Ray 02/01/16



Item	Part Name	Material / Finish	Q'ty
4	Spring	SUS Finish: -	1
3	Metal Holder	Copper Alloy Finish: Ni Plated	1
2	Metal Push Nut	Copper Alloy Finish: Ni Plated	1
1	Metal Body	Copper Alloy Finish: Ni Plated	1



GTC  
R&D DEPT. ISSUE  
FEB.04.2016  
ONLY FOR  
RELEASE

GT Contact CO.,LTD

NOTICE OF PROPRIETARY PROPERTY:  
THE INFORMATION CONTAINED HEREIN IS THE PROPRIETARY PROPERTY OF GT Contact CO.,LTD THE POSSESSOR AGREES TO THE FOLLOWING:  
(i) TO MAINTAIN THIS DOCUMENT IN CONFIDENCE  
(ii) NOT TO REPRODUCE OR COPY IT  
(iii) NOT TO REVEAL OR PUBLISH IT IN WHOLE OR PART  
(iv) ALL RIGHTS RESERVED

TITLE						DRAWING NUMBER			REV.	
Push Lock S2 Cap For Panel End						GT2C612002			04	
	B	1:1	Hank 02/25/13	Ray 02/25/13	Ray 02/25/13	X.X ± 0.5	X.XXX ± 0.05	mm	1/1	
THIRD ANGLE PROJECTION	SIZE	SCALE	DRAW / DATE	CHECK / DATE	APPROVE / DATE	TOLERANCES		UNIT	SHEET	

1

2

3

4

D

D

C

C

B

B

A

A