

1

2

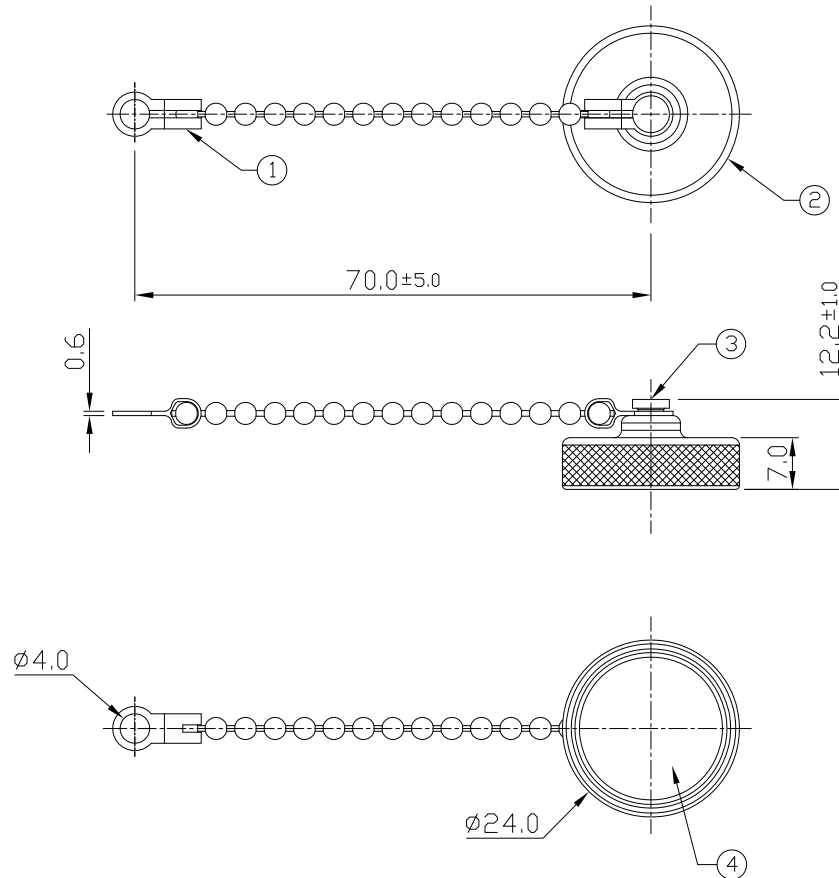
3

4

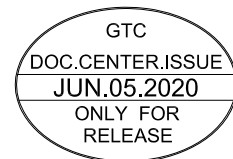
Notes: (Unless Otherwise Specified)

1. Waterproof Rate: IP68.
2. RoHS Compliant.

REV	ECN#	DESCRIPTION OF REVISION	DRAW BY DATE	CHECK BY DATE	APPROVE BY DATE
02	ECN-200602	Modify title.	Aileen 06/05/20	Lucas 06/05/20	Ray 06/05/20



Item	Part Name	Material / Finish	Q'ty
4	Rubber Pad	Silicone Color: Black	1
3	Metal Rivet	Copper Alloy Finish: Ni Plated	1
2	Metal Screw Cap	Copper Alloy Finish: Ni Plated	1
1	Metal Chain	Stainless Finish:-	1



TITLE						DRAWING NUMBER			REV.
Cap Metal For C3 Screw Panel With Metal Chain						GT2C215062			02
THIRD ANGLE PROJECTION	SIZE	SCALE	DRAW / DATE	CHECK / DATE	APPROVE / DATE	TOLERANCES	UNIT	SHEET	
THIRD ANGLE PROJECTION	B	1:1	Hank 06/08/19	Lucas 06/08/19	Ray 06/08/19	X.X ± 0.5 X.XX ± 0.2	mm	1/1	
						X.XXX ± 0.05 ANGLES ± 1°			

GT Contact CO.,LTD

NOTICE OF PROPRIETARY PROPERTY:

THE INFORMATION CONTAINED HEREIN IS THE PROPRIETARY PROPERTY OF GT Contact CO.,LTD THE POSSESSOR AGREES TO THE FOLLOWING:

(i) TO MAINTAIN THIS DOCUMENT IN CONFIDENCE

(ii) NOT TO REPRODUCE OR COPY IT

(iii) NOT TO REVEAL OR PUBLISH IT IN WHOLE OR PART

(iv) ALL RIGHTS RESERVED

1

2

3

4